

TUBE•LINE™

Tubeline Manufacturing Limited
6455 Reid Woods Drive RR #4
Elmira, Ontario, Canada N3B 2Z3

Email: sales@tubeline.ca

Fax: 519.669.5808

Tel: 519.669.9488

Toll-free (North America): 1.888.856.6613

www.tubeline.ca

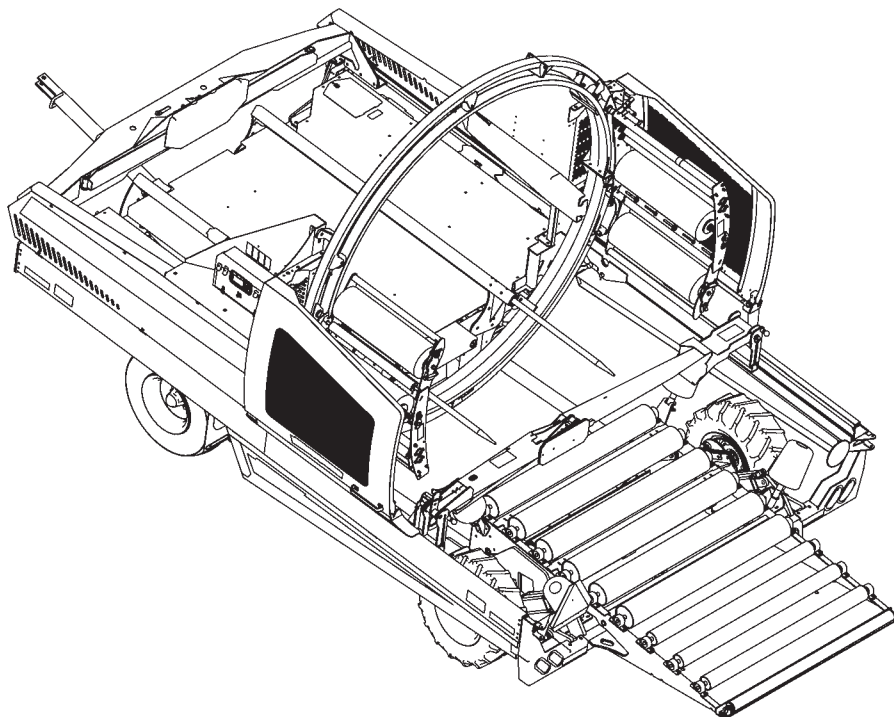
Parts Manual

Keep this manual with the machine at all times.



Balewrapper

TL70ECV



Parts Manual

Thank you for choosing the Tubeline TL70ECV Balewrapper. Our hope is it will give you many years of productive service. This machine is designed to wrap bales in a continual line with plastic film.

Parts Manual Usage

This parts manual is used to order replacement parts by means of part breakdowns and their corresponding part lists. Each page contains a different range of integrated parts. Each illustration visually represents machine components. The part lists contain information needed to order replacement parts. Part lists include the following columns:

ITEM - Number matching parts breakdown balloons.

QTY - Quantity of components included in this breakdown, not entire machine.

PART NUMBER - The number to be used when placing an order.

DESCRIPTION - Term used to confirm its matching part number.

NOTE - Column may be added to part lists when a serial break or additional information is required.

Remember to always have your machine model and serial number on hand when ordering parts.

Part Orders

Part orders are taken by your local Tubeline dealer and fulfilled through a regional distributor. For quick service please record your dealer name and contact information in the *Serial Number* section.

Manuals

Parts manuals are printed and shipped with machines as they leave the manufacturer. Your machine may include parts or features not yet included in the initially shipped manual. The latest manual version can be found at www.tubeline.ca/support.php. Tubeline reserves the right to update and change manuals as seen fit. Dealers are informed of any pressing changes/ modifications. They can help you with any questions regarding replacement parts.

Serial Number

The implement serial number is located on the front right corner of the frame. (*See below*) This number helps us to track changes and improvements and must be mentioned when ordering parts or requesting service. For your convenience, a space has been provided inside the front cover of this manual to record the serial number, model number, purchase date, and dealer name.

Model No: _____ TL70ECV _____

Serial No: _____

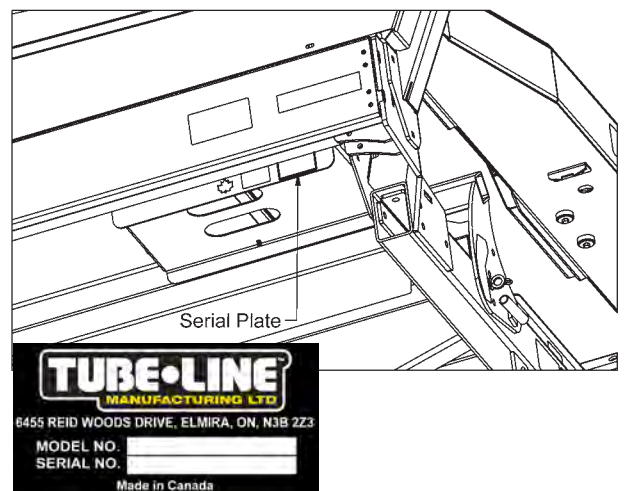
Date Purchased: _____

Dealer Name: _____

Dealer Contact: _____

Engine Model No: _____

Engine Serial No: _____





Inline Wrapper 3 Year Limited Warranty Statement *(Excludes Individual Wrapper)*

All Equipment is sold subject to mutual agreement that it is warranted by Tube-Line Manufacturing Ltd (hereinafter the company) to be free from defects in material and workmanship. The company's liability shall be limited exclusively to the original owner to replace or repair without charge, at its factory or elsewhere, at its discretion, any defects in material or workmanship which become apparent in the first year from the date on which the equipment was purchased. In the second and third year the company will supply at no charge replacement of defective parts only. Installation and freight will be at the expense of the owner.

Components supplied by third parties and not manufactured by the company will carry such warranty as extended by such parties, such as but not limited to, tires, batteries, electrical components, hydraulics and engines.

The buyer by the acceptance of the equipment will assume all liability for any damages which may result from accident, abuse or misuse by his employees or others. Any equipment that has been altered or modified without prior written authorization by the company will render the warranty null and void.

No employee or representative of the company is authorized to make changes to this warranty or grant additional warranty terms unless authorized in writing by management of the company.

The company shall not be liable for special, indirect or consequential damages of any kind including but not limited to, loss of revenue, rental replacement costs or other losses.

Normal wear and tear from normal use of the equipment is not warranted. The end user is expected to maintain and service the equipment in accordance with accepted practices. Failure to do so will void the terms of this warranty.

Warranty coverage is null and void unless Warranty Registration form has been completely filled in and is on file at Tube-Line Manufacturing Ltd.

NOTE: Newest manual version can be found at www.tubeline.ca/support.php

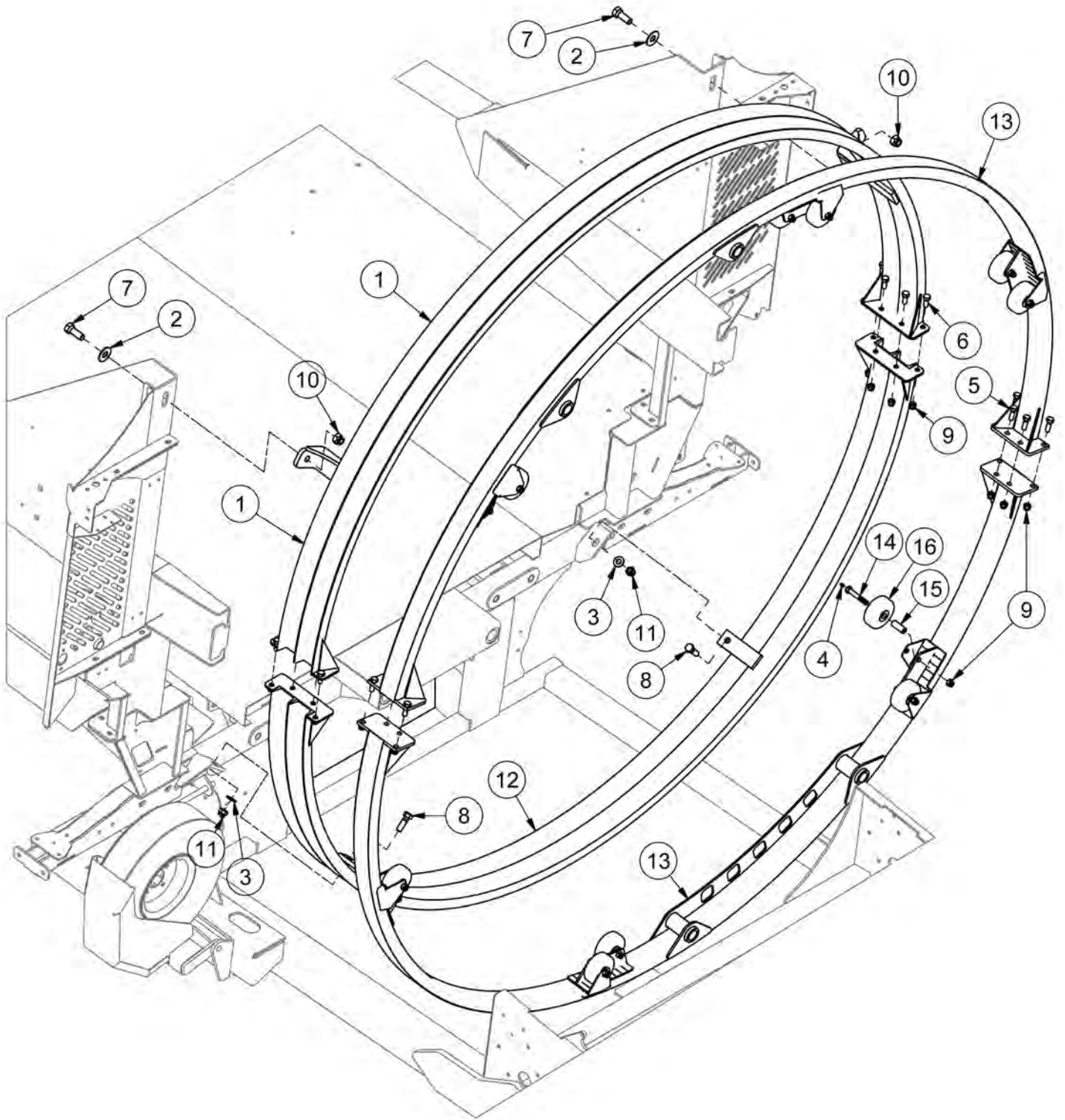
Table of Contents

Parts Manual	I
Parts Manual Usage	I
Part Orders	I
Manuals	I
Serial Number	I
Inline Wrapper 3 Year Limited Warranty Statement (<i>Excludes Individual Wrapper</i>)	II
Section 1: Basic Parts	1-1
Hoop	1-2
Hoop Drive	1-4
Main Plastic Film Carrier	1-6
Offset Twin Wrap Carrier	1-8
Left Hoop Brace	1-10
Right Hoop Brace	1-12
Left Safety Guard	1-14
Maintenance Guard	1-16
Cylinder Supports	1-18
Front Corners	1-20
Side Rails	1-22
47730 - Complete Ram	1-24
Bale Deck	1-26
Bale Saddles	1-28
Steering	1-30
Roller Bed	1-32
Rear Axle	1-34
Parking Brake	1-36
Rear Light Brackets	1-38
TLMPO-70 - Dispatch Arm	1-40
Section 2: Engine	2-1
Engine - 20hp Honda	2-1
20hp Throttle Linkage	2-3
Section 3: Hydraulics	3-1
Hydraulic Oil Tank	3-1
Hydraulic Manifold Mount	3-3
Hydraulic Oil Cooler	3-4
Section 4: Electrical	4-1
Control Panel	4-1
Main Electrical Harness	4-3
Battery	4-5
Ram Speed Sensor	4-6
Section 5: Options	5-1
TLHPDD70 - Dual Power Drive	5-1
Dual Power Drive Bracket	5-3
TLGR70 - Optional Guide Rollers	5-5
TLNWLKLED-ECV - LED Night Light Kit	5-7
TLNWLK-ECV - Halogen Night Light Kit	5-9
TLGSECV - Laser Guidance System	5-11
TLPSSK-ECV - Plastic Sensor Shutdown Kit	5-13
TLRSSKX2HDECV - Remote Control Kit	5-15
TLPSSKWEVCV - Plastic Sensor Shutdown Kit	5-16

TLOSG - Optional Safety Guard	5-17
47501 - Suspension Axle	5-19
Section 6: Decals	6-1
Safety Decals	6-1
Model Decals	6-3
Clearance Markers	6-5
Imperial Torque Value Chart	7-1
Metric Torque Value Chart	8-1

Section 1: Basic Parts

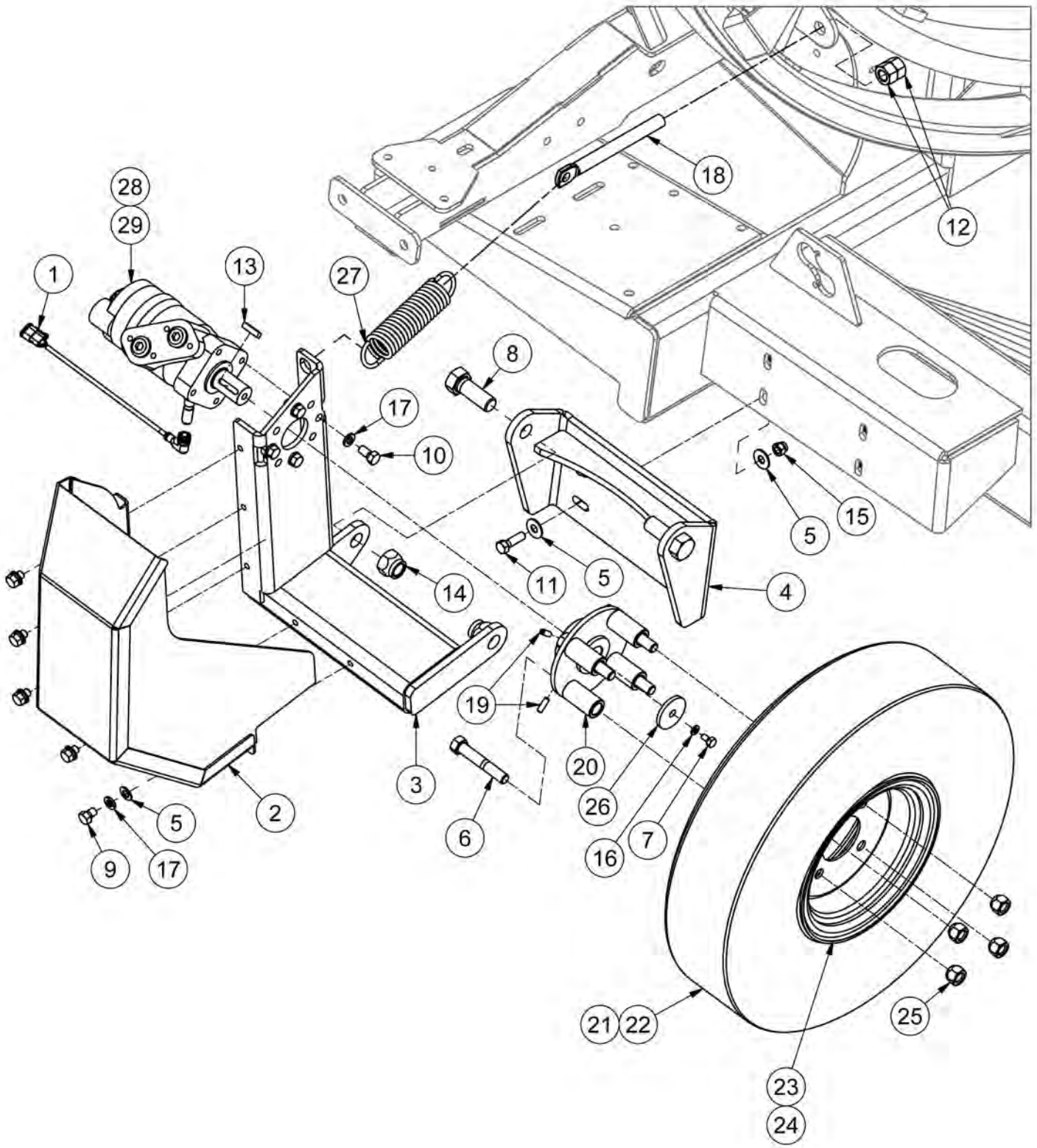
Hoop



Hoop

ITEM	QTY	PART NUMBER	DESCRIPTION
1	1	47096	Upper Inner Ring
2	2	FW 3/4	Flatwasher - 3/4" Zinc Plated USS
3	2	FW 5/8	Flatwasher - 5/8" Zinc Plated USS
4	12	GR 1/4 X 28	Grease Fitting 1/4-28 Straight Standard Zerk
5	8	HB 1/2-13X1.5 Z5	Hex Bolt 1/2-13x1 1/2 Grade 5 Zinc Plated Hex Cap Screw
6	8	HB 1/2-13X1.25 Z5	Hex Bolt 1/2-13x1 1/4 Grade 5 Zinc Plated Hex Cap Screw
7	2	HB 3/4-10X2 Z5	Hex Bolt 3/4-10x2 Grade 5 Zinc Plated Hex Cap Screw
8	2	HB 5/8-11X2 Z5	Hex Bolt 5/8-11x2 Grade 5 Zinc Plated Hex Cap Screw
9	28	LN 1/2 N	LN 1/2-13 Zinc Plated Nylon Insert Lock Nut
10	2	LN 3/4 N	LN 3/4-10 Zinc Plated Nylon Insert Lock Nut
11	2	LN 5/8 N	LN 5/8-11 Zinc Plated Nylon Insert Lock Nut
12	1	TL6X2-100-001	Lower Inner Ring
13	2	TL6X2-100-003	Outer Hoop
14	12	TL500-100-015	Hoop Wheel Axle Bolt
15	12	TL550-200-016	Spanner
16	12	TLWHEEL01	Hoop Wheel

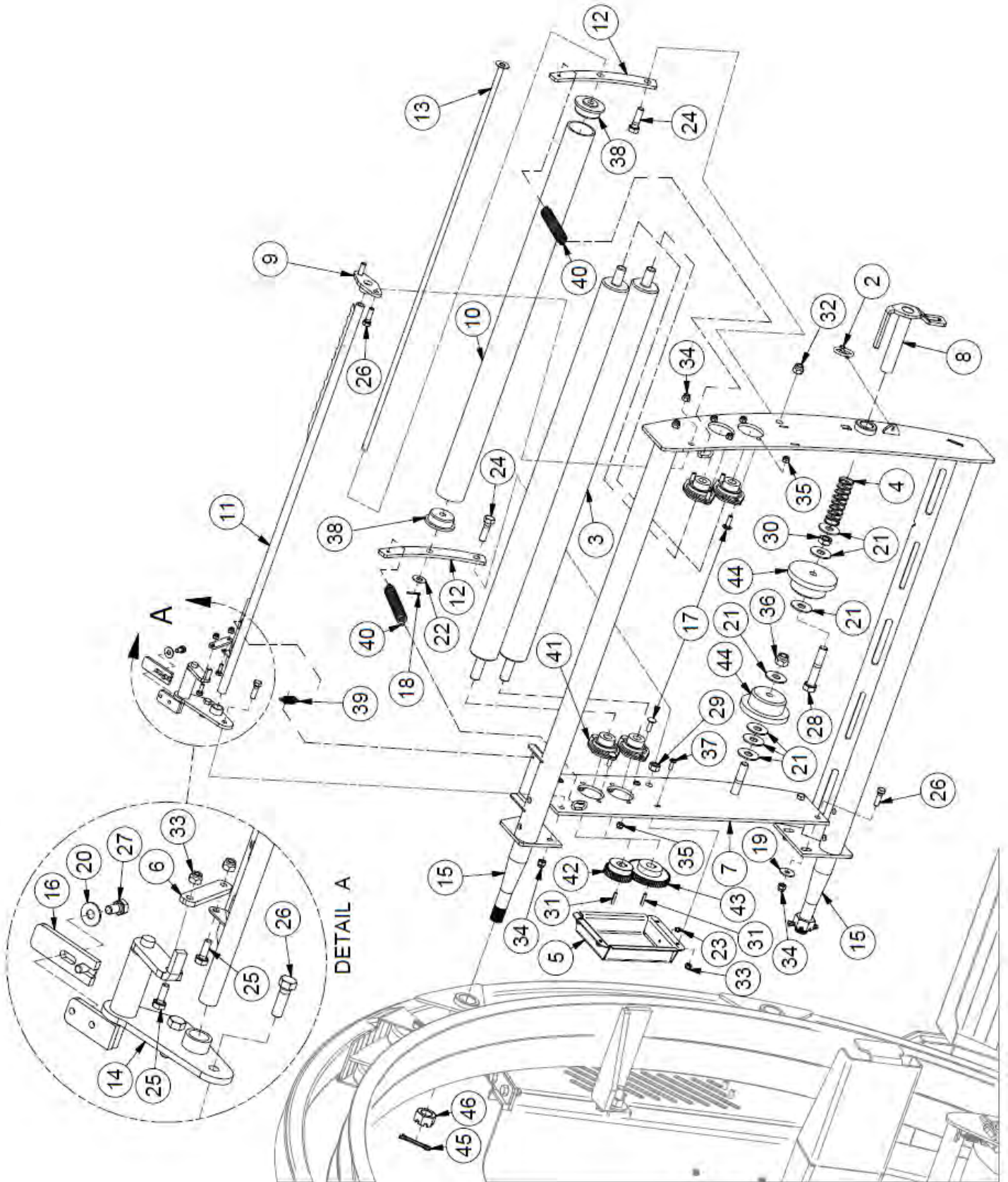
Hoop Drive



Hoop Drive

ITEM	QTY	PART NUMBER	DESCRIPTION	NOTE
1	1	32607	ECV Hoop Speed Sensor Harness	
2	1	41378	Hoop Wheel Guard	
3	1	47185	Hoop Wheel Mount	
4	1	47190	Hoop Drive Mount	
5	13	FW 3/8	Flatwasher - 3/8" Zinc Plated USS	
6	4	HB1/2-13X3Z5	Hex Bolt 1/2-13x3 Grade 5 Zinc Plated Hex Cap Screw	
7	1	HB1/4-20X0.5Z5	Hex Bolt 1/4-20x1/2 Grade 5 Zinc Plated Hex Cap Screw	
8	2	HB3/4-10X2Z5	Hex Bolt 3/4-10x2 Grade 5 Zinc Plated Hex Cap Screw	
9	5	HB3/8-16X0.5Z5	Hex Bolt 3/8-16x1/2 Grade 5 Zinc Plated Hex Cap Screw	
10	4	HB3/8-16X0.75Z5	Hex Bolt 3/8-16x3/4 Grade 5 Zinc Plated Hex Cap Screw	
11	4	HB3/8-16X1.25Z5	Hex Bolt 3/8-16x1 1/4 Grade 5 Zinc Plated Hex Cap Screw	
12	2	HN5/8-11CZ5	Hex Nut 5/8"-11 Grade 5 Zinc Plated Finished	
13	1	KS40254	Keystock .250 X 1.000	
14	2	LN3/4-10NCZ5	LN 3/4-10 Zinc Plated Nylon Insert Lock Nut	
15	4	LN3/8-16NCZ5	LN 3/8-16 Zinc Plated Nylon Insert Lock Nut	
16	1	LW 1/4	LW - 1/4" Zinc Plated Medium Split	
17	9	LW 3/8	LW - 3/8" Zinc Plated Medium Split	
18	1	PP00051	Flat Eyebolt - 5/8 X 7	
19	2	SS1/4-20CX0.75CP	Allan Head Set Screw, 1/4-20 x 3/4	
20	1	TL500-100-051	Hoop Drive Wheel Hub	
21	1	TL500-100-052	Drive Wheel	Incl Items 22-24
22	1	WHE 5.70X8X4	5.70 X 8 x 4 Ply Tire	
23	1	WHE 57017	Valve Stem 570 x 8 Wheels	
24	1	WHE 57084	Bolt Rim - 5.70 x 8 x 4 Bolt	
25	4	TL500-100-054	1/2 Wheel Nut	
26	1	TL500-100-060	Power Drive Washer	
27	1	TL500-101-231	Wheel Tensioner Spring	
28	1	VAL MLHPQ200C7URS-NE	Hyd. Motor (Hoop Motor) Rear Ported with Sensor	
29	1	SKMLHPQUDE	Seal Kit - 200 & 400 Series Motors	

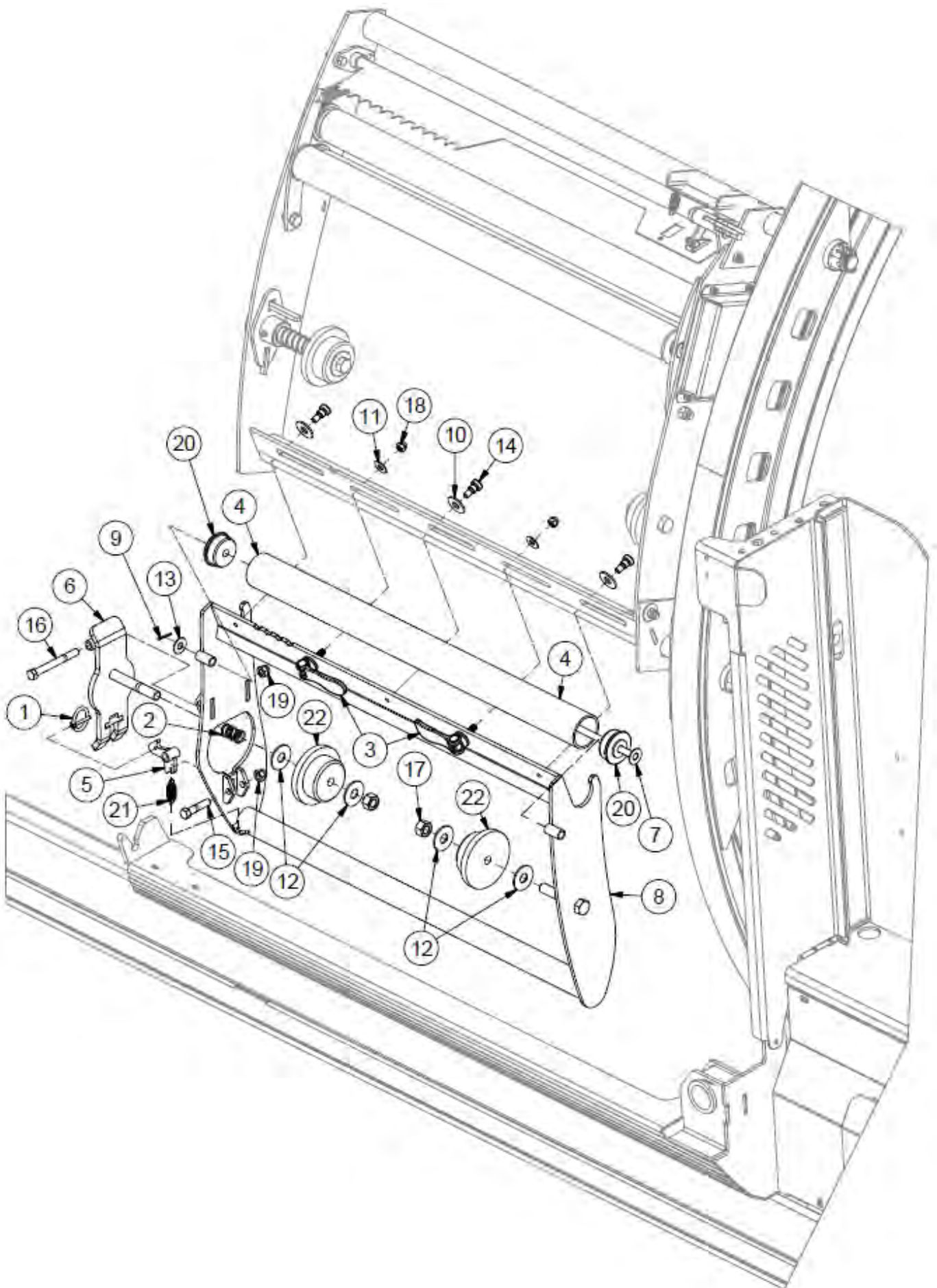
Main Plastic Film Carrier



Main Plastic Film Carrier

ITEM	QTY	PART NUMBER	DESCRIPTION	NOTE
1	2	44278	Offset Plastic Wrap Carrier	Items 2-44
2	1	25680	Linchpin 3/16 x 1.5"	
3	2	39916	Extended Tensioner Roller	
4	1	41888	Offset Tensioner Spring	
5	1	44284	Grease Box	
6	1	44285	Swivel Plate	
7	1	44286	Main Wrap Side Plate	
8	1	44287	Wrap Spool Slider Shaft	
9	1	44288	Pivot Support Bracket	
10	1	44289	Extended Plastic Roller	
11	1	44290	Wrap Cut	
12	2	44291	Plastic Roller Mount	
13	1	44292	Plastic Roller Pin	
14	1	44293	Wrap Cut Swivel Handle	
15	1	44294	Main Wrap Frame	
16	1	44400	Snap Adjuster Plate	
17	8	CB 5/16-18 X1 Z5	Carriage Bolt - 5/16-18 x 1" Grade 5 Zinc	
18	1	CP 18X1	Pin, Cotter 1/8 x 1.0	
19	2	FW 3/8	Flatwasher - 3/8" Zinc Plated USS	
20	2	FW 5/16	Flatwasher - 5/16" Zinc Plated USS	
21	7	FW 5/8	Flatwasher - 5/8" Zinc Plated USS	
22	1	FW 7/16	Flatwasher - 7/16" Zinc Plated USS	
23	2	GR 1/4 X 28	Grease Fitting 1/4-28 Strght-Standr Zerk	
24	2	HB 1/2-13X1.75 Z5	Hex Bolt 1/2-13x1 3/4 Grade 5 Zinc Plated Hex Cap Screw	
25	2	HB 1/4-20X0.75 Z5	Hex Bolt 1/4-20x3/4 Grade 5 Zinc Plated Hex Cap Screw	
26	6	HB 3/8-16X1.25 Z5	Hex Bolt 3/8-16x1 1/4 Grade 5 Zinc Plated Hex Cap Screw	
27	2	HB 5/16-18X0.625 Z5	Hex Bolt 5/16-18x5/8 Grade 5 Zinc Plated Hex Cap Screw	
28	1	HB 5/8-11X3.5 Z5	Hex Bolt 5/8-11x3 1/2 Grade 5 Zinc Plated Hex Cap Screw	
29	2	HN 1/2	Hex Nut 1/2"-13 Grade 5 Zinc Plated Finished	
30	1	HN 5/8 JAM	Hex Nut - 5/8-11 Zinc Plated Hex Jam Nut	
31	2	KS44823	Keystock .188 X 1	
32	2	LN 1/2 N	LN 1/2-13 Zinc Plated Nylon Insert Lock Nut	
33	6	LN 1/4 N	LN 1/4-20 Zinc Plated Nylon Insert Lock Nut	
34	6	LN 3/8 N	LN 3/8-16 Zinc Plated Nylon Insert Lock Nut	
35	8	LN 5/16 N	LN 5/16-18 Zinc Plated Nylon Insert Lock Nut	
36	1	LN 5/8 N	LN 5/8-11 Zinc Plated Nylon Insert Lock Nut	
37	4	MS 1/4X20X0.75	Machine Screw - (Inch)	
38	2	TL500-100-021	HMWPVC - Plastic End Cap	
39	1	TL500-100-062	Extension Spring	
40	2	TL500-100-135	Spring - Tensioner	
41	4	TL550-100-007	Flange Bearing, 3/4" (2 Flanges & Bearing)	
42	1	TL550-100-008	Small Gear - 3/4 Bore, KW, SS, 14 1/2 deg, 2.25 P.D.	C/w 2 Set Screws
43	1	TL550-100-009	Large Gear - 3/4 Bore, KW, SS, 14 1/2 deg, 3.50 P.D.	C/w 2 Set Screws
44	2	TL550-200-012	Plastic Wrap Spool	
45	4	CP 1/4 x 2.0	Pin, Cotter - 1/4" x 2" Zinc Plated	
46	4	HN 1.0-14NFCastle	Hex Nut 1"-14 Slotted Plain Finish (NF Castle Nut Bare)	

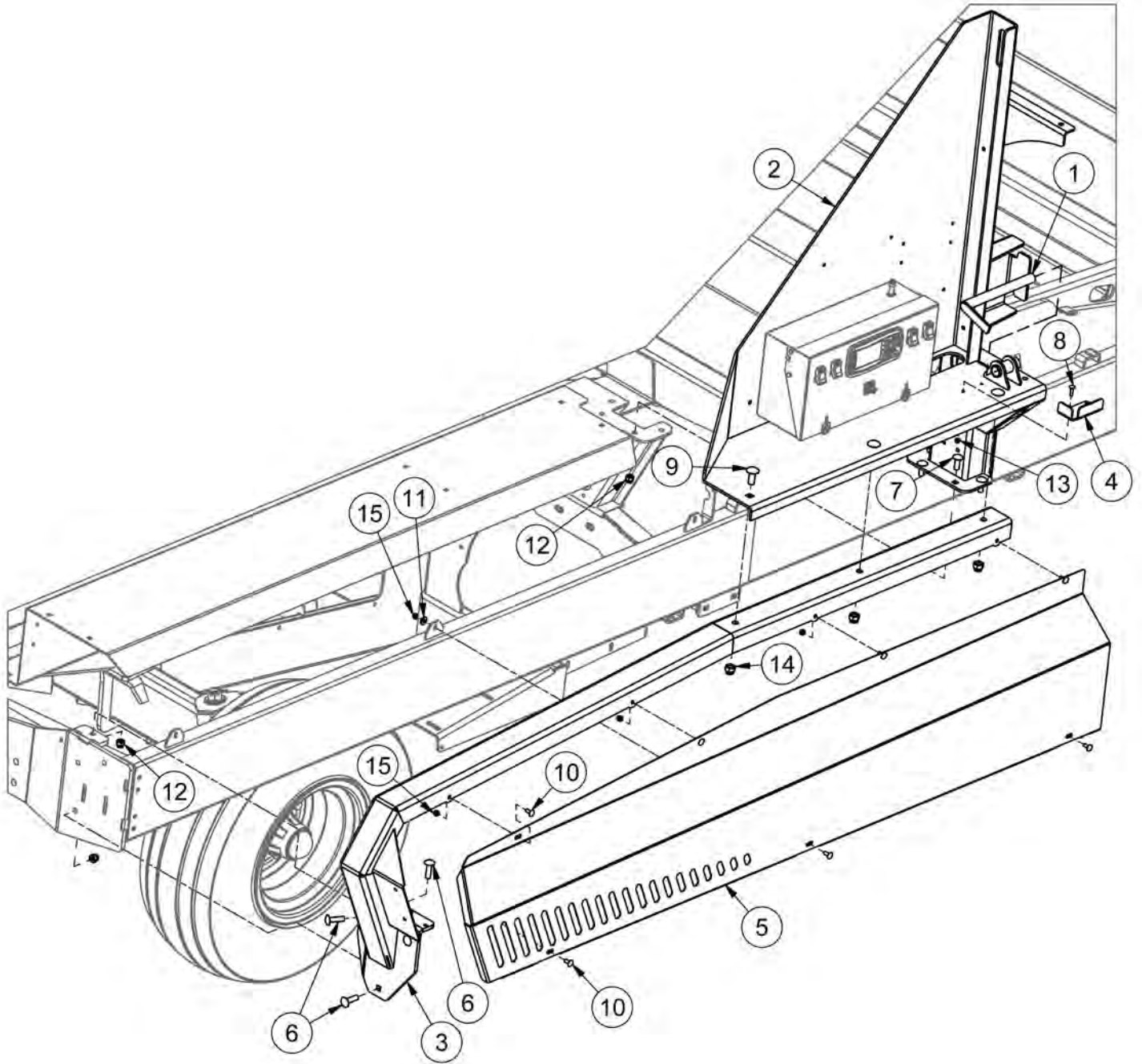
Offset Twin Wrap Carrier



Offset Twin Wrap Carrier

ITEM	QTY	PART NUMBER	DESCRIPTION	NOTE
	1	TLTWKOFF	Complete Offset Twin Wrap Kit	Inc. 2 of 44277
	2	44277	Offset Twin Wrap Assembly	Items 1-22 (Qty for 1 side only)
1	1	25680	Lynch Pin 3/16 X 1.5	
2	1	41916	Twin Wrap Spring	
3	2	41927	Cam Handle	
4	1	44279	Plastic Roller	
5	1	44280	Latch Hook	
6	1	44281	Spool Latch	
7	1	44282	Twin Wrap Roller Pin	
8	1	44283	Twin Wrap Frame	
9	1	CP 18X1	Pin, Cotter - 1/8" X 1.0"	
10	3	FW 1/2	Flatwasher - 1/2" Zinc Plated USS	
11	2	FW 3/8	Flatwasher - 3/8" Zinc Plated USS	
12	4	FW 5/8	Flatwasher - 5/8" Zinc Plated USS	
13	1	FW 7/16	Flatwasher - 7/16" Zinc Plated USS	
14	3	HB 1/2X3/8 SS	Socket Head Shoulder Screws - 1/2 Shldr x 3/8 x 3/8-16	
15	1	HB 7/16-14X2 Z5	Hex Bolt 7/16-14x2 Grade 5 Zinc Plated Hex Cap Screw	
16	1	HB 7/16-14X4 Z5	Hex Bolt 7/16-14x4 Grade 5 Zinc Plated Hex Cap Screw	
17	2	HN 5/8	Hex Nut 5/8"-11 Grade 5 Zinc Plated Finished	
18	2	LN 3/8 N	LN 3/8-16 Zinc Plated Nylon Insert Lock Nut	
19	2	LN 7/16 N	LN 7/16-14 Zinc Plated Nylon Insert Lock Nut	
20	2	TL500-100-021	Plastic Roller Cap	
21	1	TL500-100-062	Trigger Spring	
22	2	TL550-200-012	Plastic Wrap Spool	

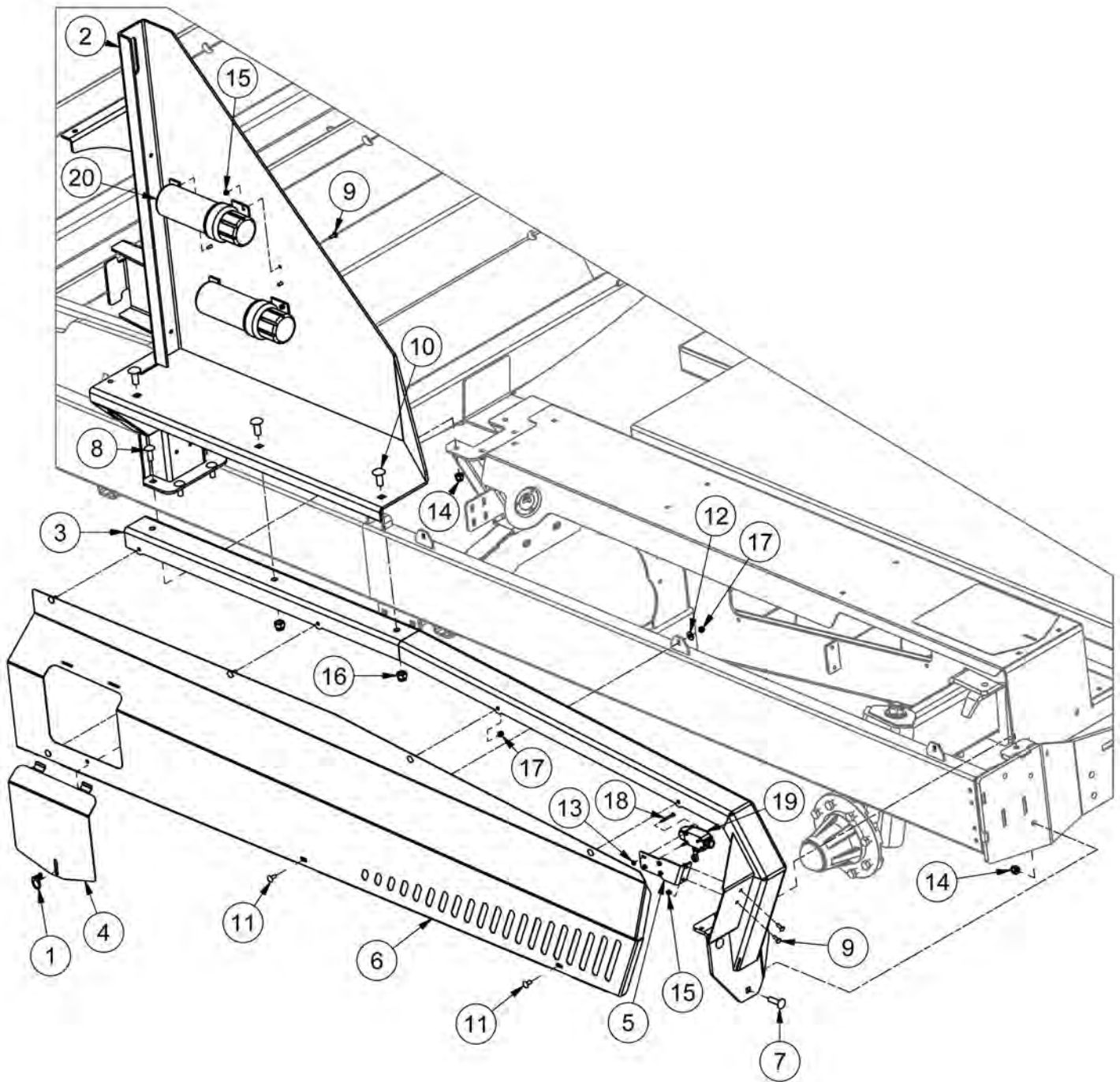
Left Hoop Brace



Left Hoop Brace

ITEM	QTY	PART NUMBER	DESCRIPTION
1	1	31794	Hoop Lock Pin
2	1	47126	Left Hoop Brace
3	1	47156	Left Hoop Brace Support
4	1	47284	Hoop Lock Bracket
5	1	47303	ECV Left Side Shield
6	4	CB1/2-13X1.75CZ5	Carriage Bolt - 1/2-13 x 1 3/4" Grade 5 Zinc
7	4	CB1/2-13X1.375CZ5	Carriage Bolt - 1/2-13 x 1 3/8" Grade 5 Zinc
8	2	CB1/4-20X1CZ5	Carriage Bolt - 1/4-20 x 1" Grade 5 Zinc
9	3	CB5/8-11X1.5CZ5	Carriage Bolt - 5/8-11 x 1 1/2" Grade 5 Zinc
10	7	CB5/16-18X0.75CZ5	Carriage Bolt - 5/16-18 x 3/4" Grade 5 Zinc
11	3	FW 5/16	Flatwasher - 5/16" Zinc Plated USS
12	8	LN1/2-13NCZ5	LN 1/2-13 Zinc Plated Nylon Insert Lock Nut
13	2	LN1/4-20NCZ5	LN 1/4-20 Zinc Plated Nylon Insert Lock Nut
14	3	LN5/8-11NCZ5	LN 5/8-11 Zinc Plated Nylon Insert Lock Nut
15	7	LN5/16-18NCZ5	LN 5/16-18 Zinc Plated Nylon Insert Lock Nut

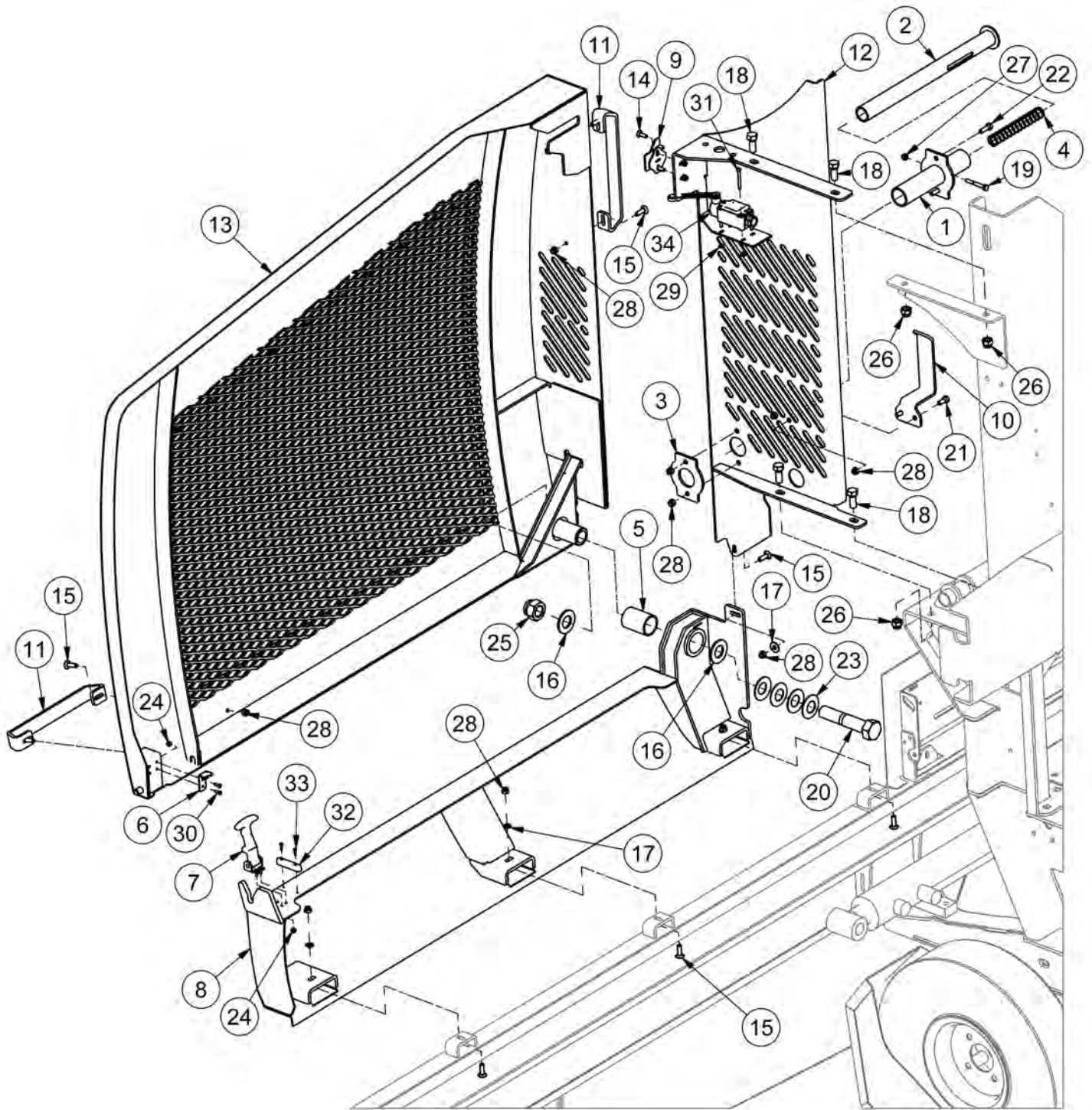
Right Hoop Brace



Right Hoop Brace

ITEM	QTY	PART NUMBER	DESCRIPTION
1	1	36268	Cam Lock
2	1	47136	Right Hoop Brace
3	1	47161	Right Hoop Brace Support
4	1	47267	Oil Fill Lid
5	1	47306	Home Switch Mount
6	1	47342	ECV Right Side Shield
7	4	CB1/2-13X1.75CZ5	Carriage Bolt - 1/2-13 x 1 3/4" Grade 5 Zinc
8	4	CB1/2-13X1.375CZ5	Carriage Bolt - 1/2-13 x 1 3/8" Grade 5 Zinc
9	8	CB1/4-20X0.75CZ5	Carriage Bolt - 1/4-20 x 3/4" Grade 5 Zinc
10	3	CB5/8-11X1.5CZ5	Carriage Bolt - 5/8-11 x 1 1/2" Grade 5 Zinc
11	7	CB5/16-18X0.75CZ5	Carriage Bolt - 5/16-18 x 3/4" Grade 5 Zinc
12	3	FW 5/16	Flatwasher - 5/16" Zinc Plated USS
13	4	LN 10-24	K-Lok Locknut
14	8	LN1/2-13NCZ5	LN 1/2-13 Zinc Plated Nylon Insert Lock Nut
15	8	LN1/4-20NCZ5	LN 1/4-20 Zinc Plated Nylon Insert Lock Nut
16	3	LN5/8-11NCZ5	LN 5/8-11 Zinc Plated Nylon Insert Lock Nut
17	7	LN5/16-18NCZ5	LN 5/16-18 Zinc Plated Nylon Insert Lock Nut
18	4	MS #10X24X1.75	Machine Screw - (Inch)
19	1	TL550-100-060	Limit Switch
20	2	TL5X2-201-111	Operator's Manual Holder

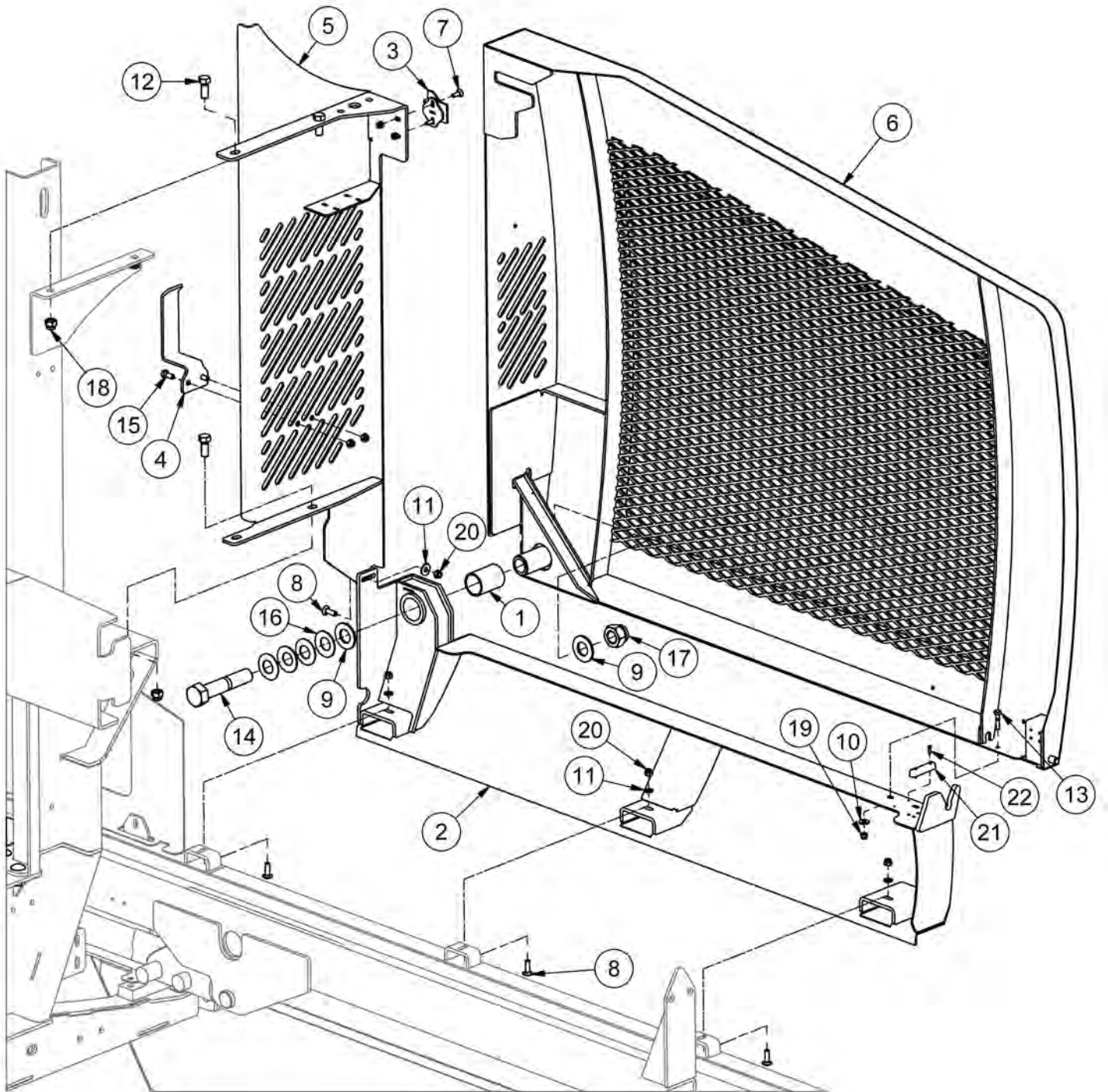
Left Safety Guard



Left Safety Guard

ITEM	QTY	PART NUMBER	DESCRIPTION
1	1	33352	Wrap Cut Tube Support
2	1	33355	Cut Push Tube
3	1	36629	Pipe Support
4	1	36900	Film Snap Spring
5	1	37845	Polygon 1.75 OD x1.52 ID x2.38 LG
6	1	38343	Battery Latch
7	1	38610	Rubber Battery Latch
8	1	41692	Left Bottom Door Mount
9	1	43266	Door Hold
10	1	44359	Single Tape Holder
11	2	44858	Door Handle
12	1	47244	Left Door Mount
13	1	47252	Left Door
14	2	CB 1/4-20 X0.75 Z5	Carriage Bolt - 1/4-20 x 3/4" Grade 5 Zinc
15	8	CB 5/16-18 X1 Z5	Carriage Bolt - 5/16-18 x 1" Grade 5 Zinc
16	2	FW 1.0	Flatwasher - 1" Zinc Plated USS
17	5	FW 5/16	Flatwasher - 5/16" Zinc Plated USS
18	4	HB 1/2-13X1.25 Z5	Hex Bolt 1/2-13x1 1/4 Grade 5 Zinc Plated Hex Cap Screw
19	1	HB 1/4-20X2 Z5	Hex Bolt 1/4-20x2 Grade 5 Zinc Plated Hex Cap Screw
20	1	HB 1-8X5 Z5	Hex Bolt 1-8x5 Grade 5 Zinc Plated Hex Cap Screw
21	2	HB 5/16-18X0.75 Z5	Hex Bolt 5/16-18x3/4 Grade 5 Zinc Plated Hex Cap Screw
22	2	HB 5/16-18X1 Z5	Hex Bolt 5/16-18x1 Grade 5 Zinc Plated Hex Cap Screw
23	4	LA-BK-43	2" OD 1" ID H Steel Disc Spring Washer
24	5	LN #8 N	LN 3/16-32 Zinc Plated Nylon Insert Lock Nut
25	1	LN 1 N	LN 1-8 Zinc Plated Nylon Insert Lock Nut
26	4	LN 1/2 N	LN 1/2-13 Zinc Plated Nylon Insert Lock Nut
27	3	LN 1/4 N	LN 1/4-20 Zinc Plated Nylon Insert Lock Nut
28	12	LN 5/16 N	LN 5/16-18 Zinc Plated Nylon Insert Lock Nut
29	4	LN 10-24	K-Lok Locknut
30	5	MS #8X32X0.5	Machine Screw - (Inch)
31	4	MS #10X24X1.75	Machine Screw - (Inch)
32	1	PP-00685	Rubber Stop
33	2	PP-00686	Wood Screw,#6 x5/8" Roberts end
34	1	32633	ECV LH&RH Door & Ram Switch

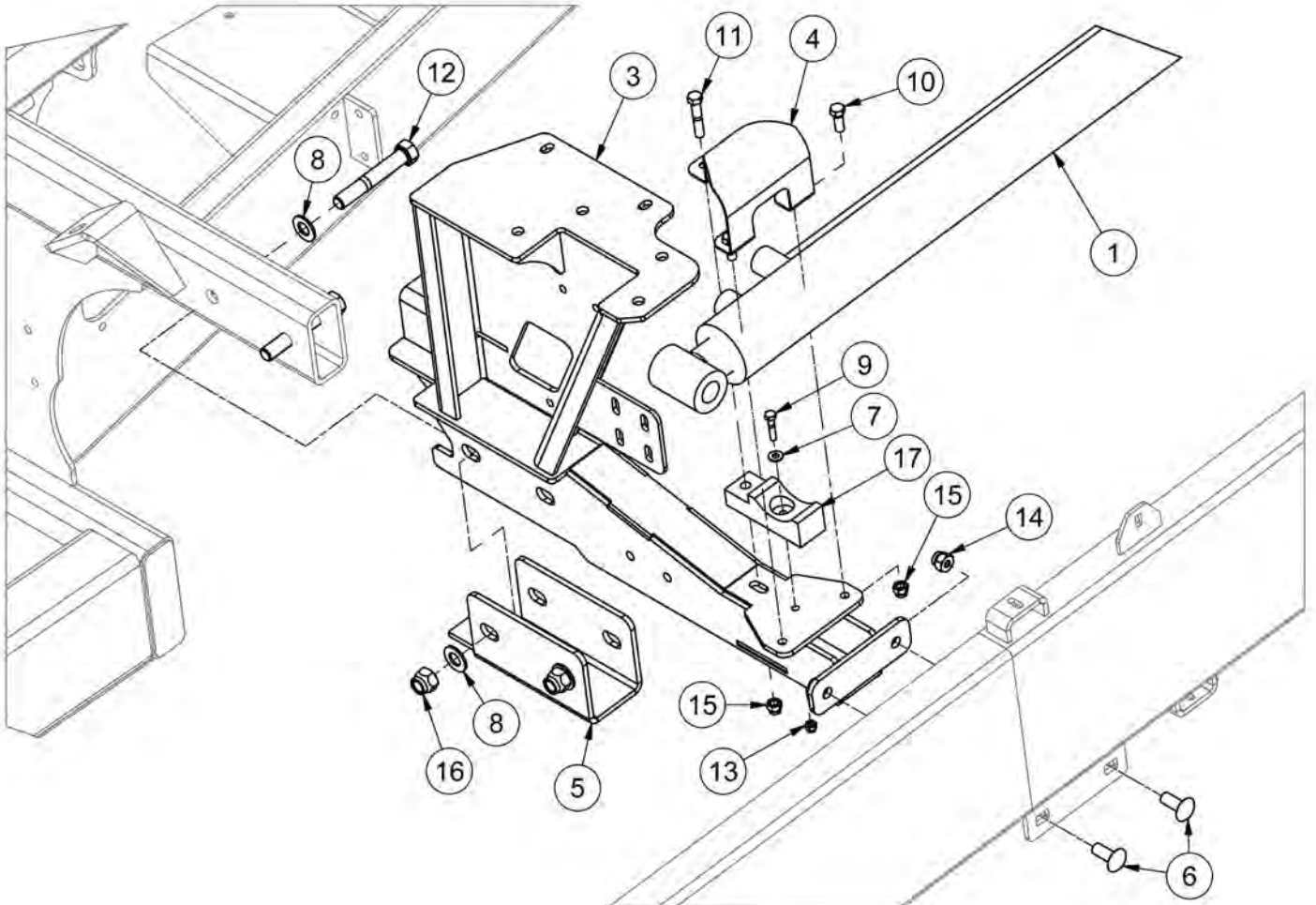
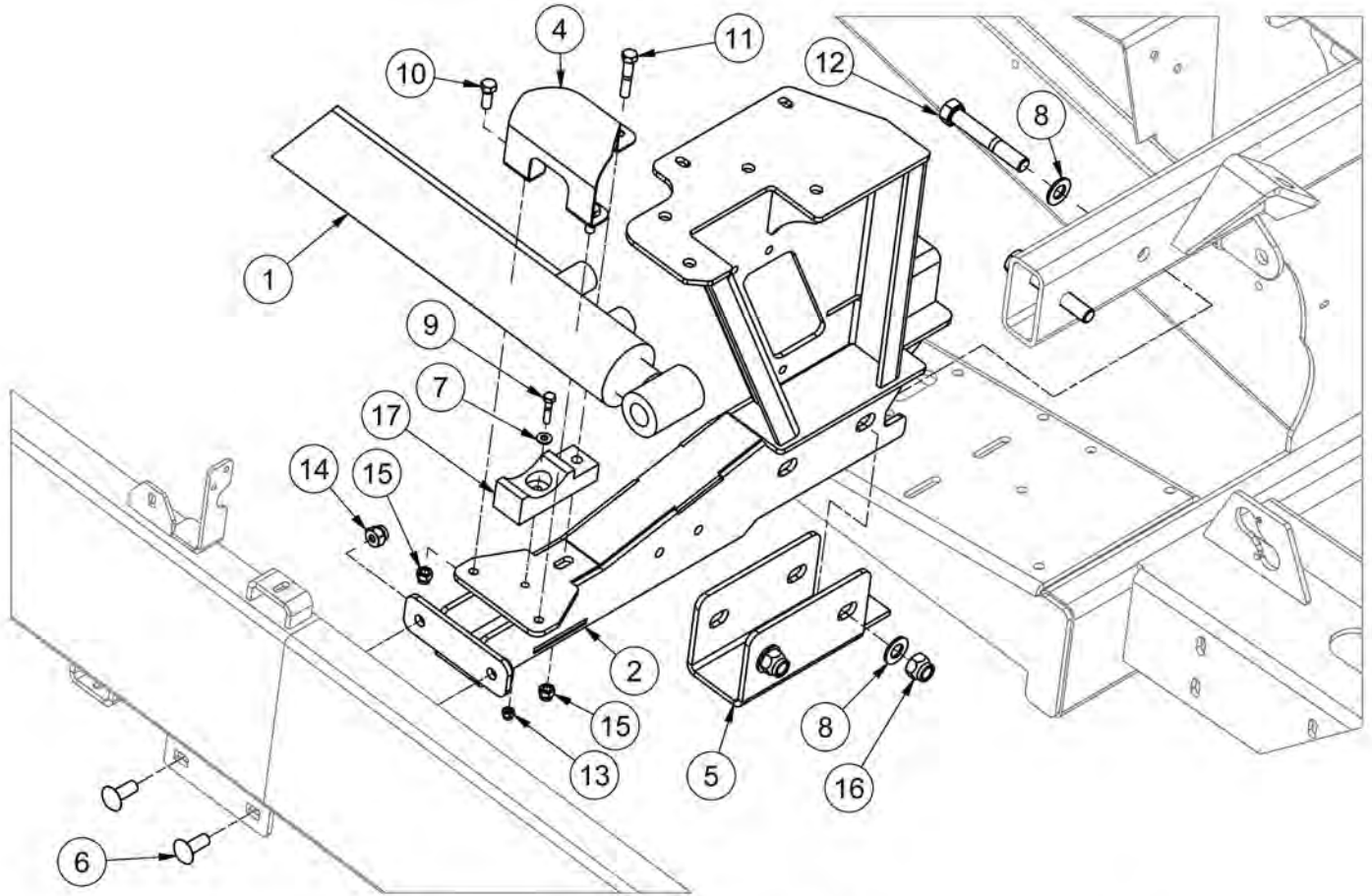
Maintenance Guard



Maintenance Guard

ITEM	QTY	PART NUMBER	DESCRIPTION
1	1	37845	Polygon 1.75 OD x1.52 ID x2.38 LG
2	1	43259	Right Bottom Door Mount
3	1	43266	Door Hold
4	1	44359	Single Tape Holder
5	1	47249	Right Door Mount
6	1	47255	Right Door
7	2	CB1/4-20X0.75CZ5	Carriage Bolt - 1/4-20 x 3/4" Grade 5 Zinc
8	4	CB5/16-18X1CZ5	Carriage Bolt - 5/16-18 x 1" Grade 5 Zinc
9	2	FW 1.0	Flatwasher - 1" Zinc Plated USS
10	1	FW 1/4	Flatwasher - 1/4" Zinc Plated USS
11	4	FW 5/16	Flatwasher - 5/16" Zinc Plated USS
12	4	HB1/2-13X1.25Z5	Hex Bolt 1/2-13x1 1/4 Grade 5 Zinc Plated Hex Cap Screw
13	1	HB1/4-20X1.25Z5	Hex Bolt 1/4-20x1 1/4 Grade 5 Zinc Plated Hex Cap Screw
14	1	HB1-8X5Z5	Hex Bolt 1-8x5 Grade 5 Zinc Plated Hex Cap Screw
15	2	HB5/16-18X0.75Z5	Hex Bolt 5/16-18x3/4 Grade 5 Zinc Plated Hex Cap Screw
16	4	LA-BK-43	2" OD 1" ID H Steel Disc Spring Washer
17	1	LN1-8NCZ5	LN 1-8 Zinc Plated Nylon Insert Lock Nut
18	8	LN1/2-13NCZ5	LN 1/2-13 Zinc Plated Nylon Insert Lock Nut
19	1	LN1/4-20NCZ5	LN 1/4-20 Zinc Plated Nylon Insert Lock Nut
20	6	LN5/16-18NCZ5	LN 5/16-18 Zinc Plated Nylon Insert Lock Nut
21	1	PP-00685	Rubber Stop
22	2	PP-00686	Wood Screw,#6 x5/8" Roberts end

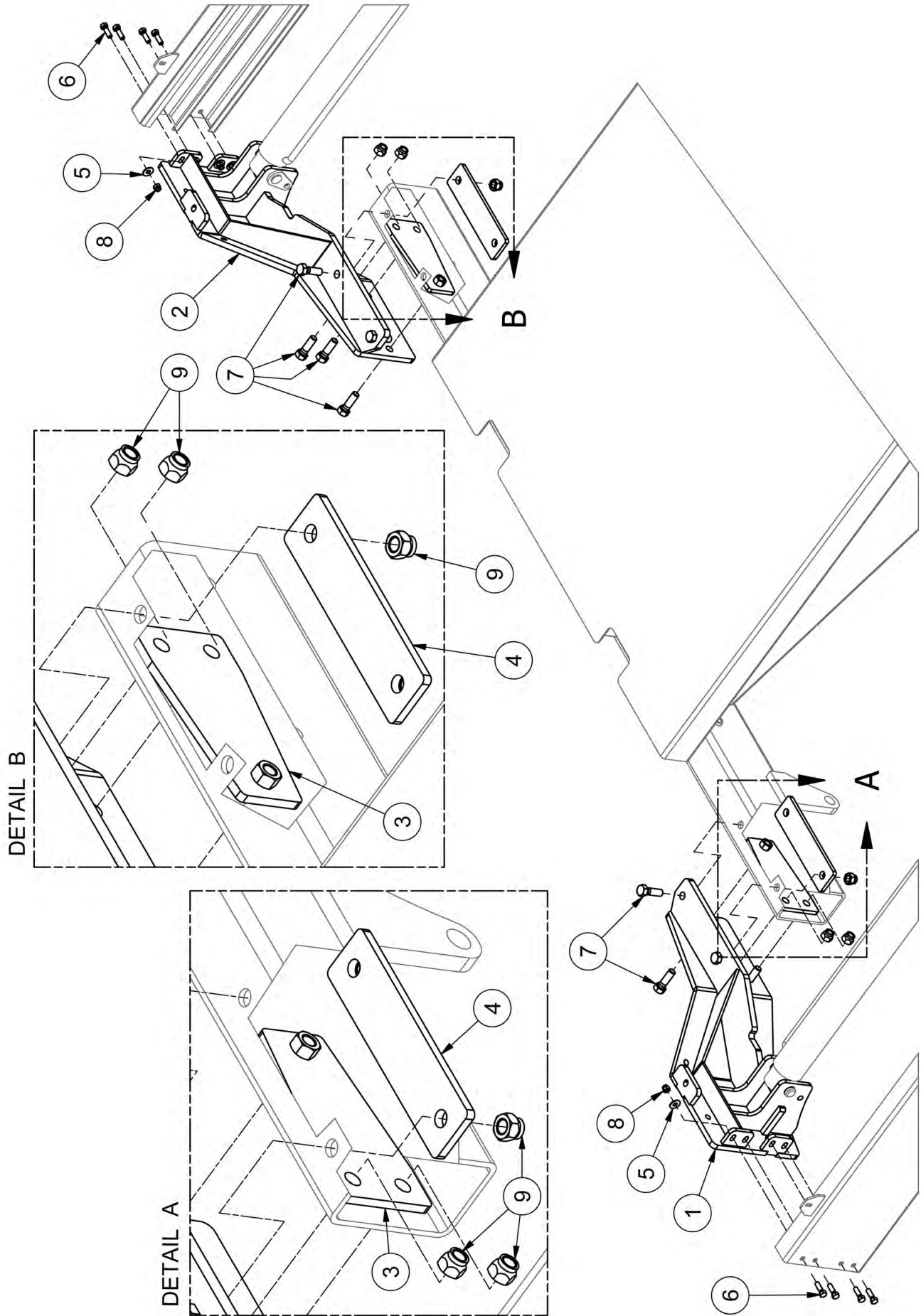
Cylinder Supports



Cylinder Supports

ITEM	QTY	PART NUMBER	DESCRIPTION	NOTE
1	2	40253	Ram Cylinder	
2	1	47142	Left Hoop Brace Post	Up to SN 2170L006 also req. Item 5
3	1	47151	Right Hoop Brace Post	Up to SN 2170L006 also req. Item 5
4	2	47283	Cylinder Tie Down	
5	2	48663	Door Mount Bracket	
6	4	CB1/2-13X1.25CZ5	Carriage Bolt - 1/2-13 x 1 1/4" Grade 5 Zinc	
7	2	FW 1/4	Flatwasher - 1/4" Zinc Plated USS	
8	8	FW 5/8	Flatwasher - 5/8" Zinc Plated USS	
9	2	HB1/4-20X1.25Z5	Hex Bolt 1/4-20x1 1/4 Grade 5 Zinc Plated Hex Cap Screw	
10	4	HB3/8-16X1Z5	Hex Bolt 3/8-16x1 Grade 5 Zinc Plated Hex Cap Screw	
11	2	HB3/8-16X2Z5	Hex Bolt 3/8-16x2 Grade 5 Zinc Plated Hex Cap Screw	
12	4	HB5/8-11X4Z5	Hex Bolt 5/8-11x4 Grade 5 Zinc Plated Hex Cap Screw	
13	2	LN1/4-20NCZ5	LN 1/4-20 Zinc Plated Nylon Insert Lock Nut	
14	4	LN1/2-13NCZ5	LN 1/2-13 Zinc Plated Nylon Insert Lock Nut	
15	6	LN3/8-16NCZ5	LN 3/8-16 Zinc Plated Nylon Insert Lock Nut	
16	5	LN5/8-11NCZ5	LN 5/8-11 Zinc Plated Nylon Insert Lock Nut	
17	2	TL550-200-109	Cylinder Support	

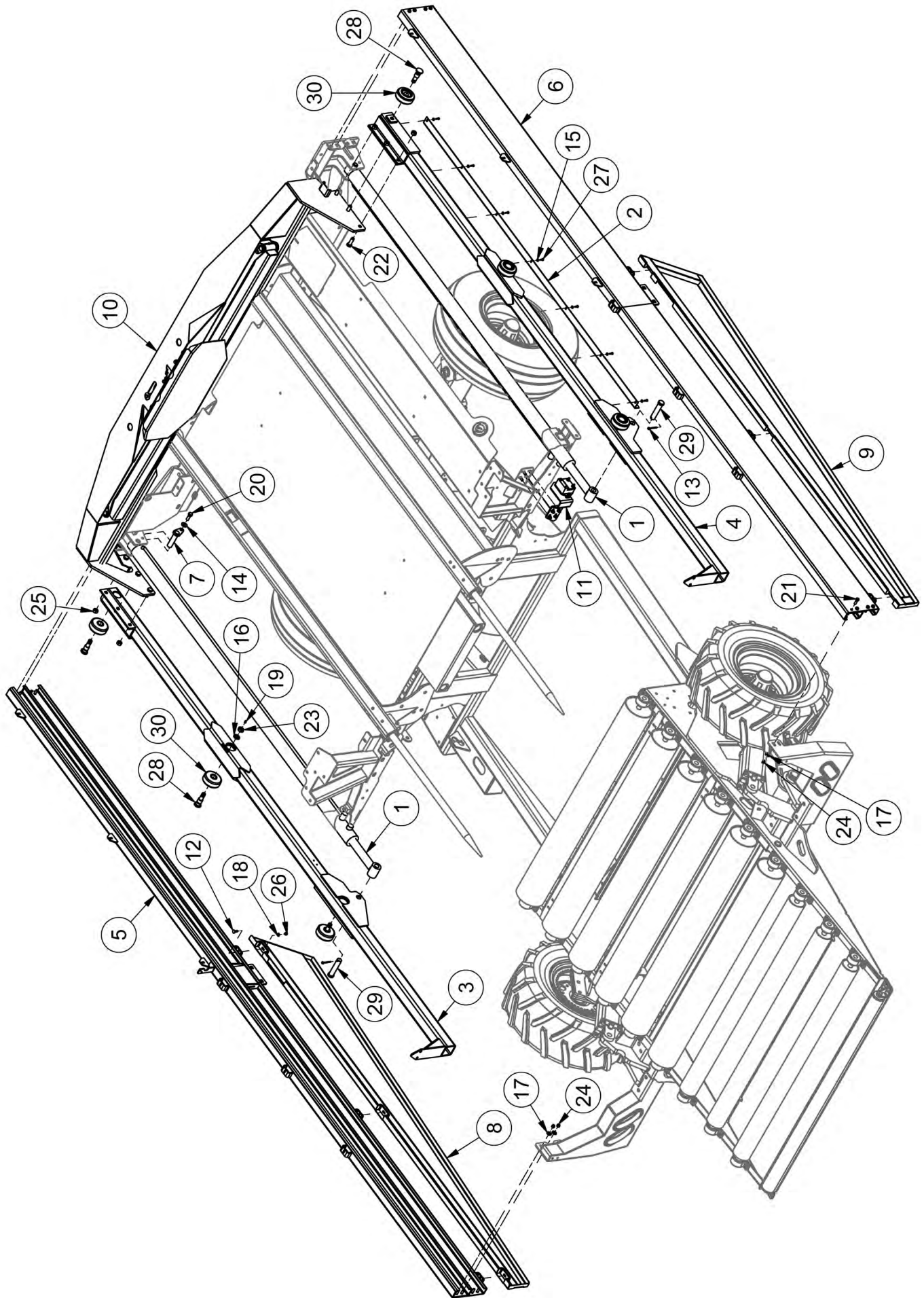
Front Corners



Front Corners

ITEM	QTY	PART NUMBER	DESCRIPTION
1	1	47102	Front Left Corner
2	1	47109	Front Right Corner
3	2	47223	Front Bolt-On
4	2	47225	Back Bolt-On
5	8	FW 3/8	Flatwasher - 3/8" Zinc Plated USS
6	8	HB 3/8-16X1.25 Z5	Hex Bolt 3/8-16x1 1/4 Grade 5 Zinc Plated Hex Cap Screw
7	10	HB 5/8-11X2 Z5	Hex Bolt 5/8-11x2 Grade 5 Zinc Plated Hex Cap Screw
8	8	LN 3/8 N	LN 3/8-16 Zinc Plated Nylon Insert Lock Nut
9	6	LN 5/8 N	LN 5/8-11 Zinc Plated Nylon Insert Lock Nut

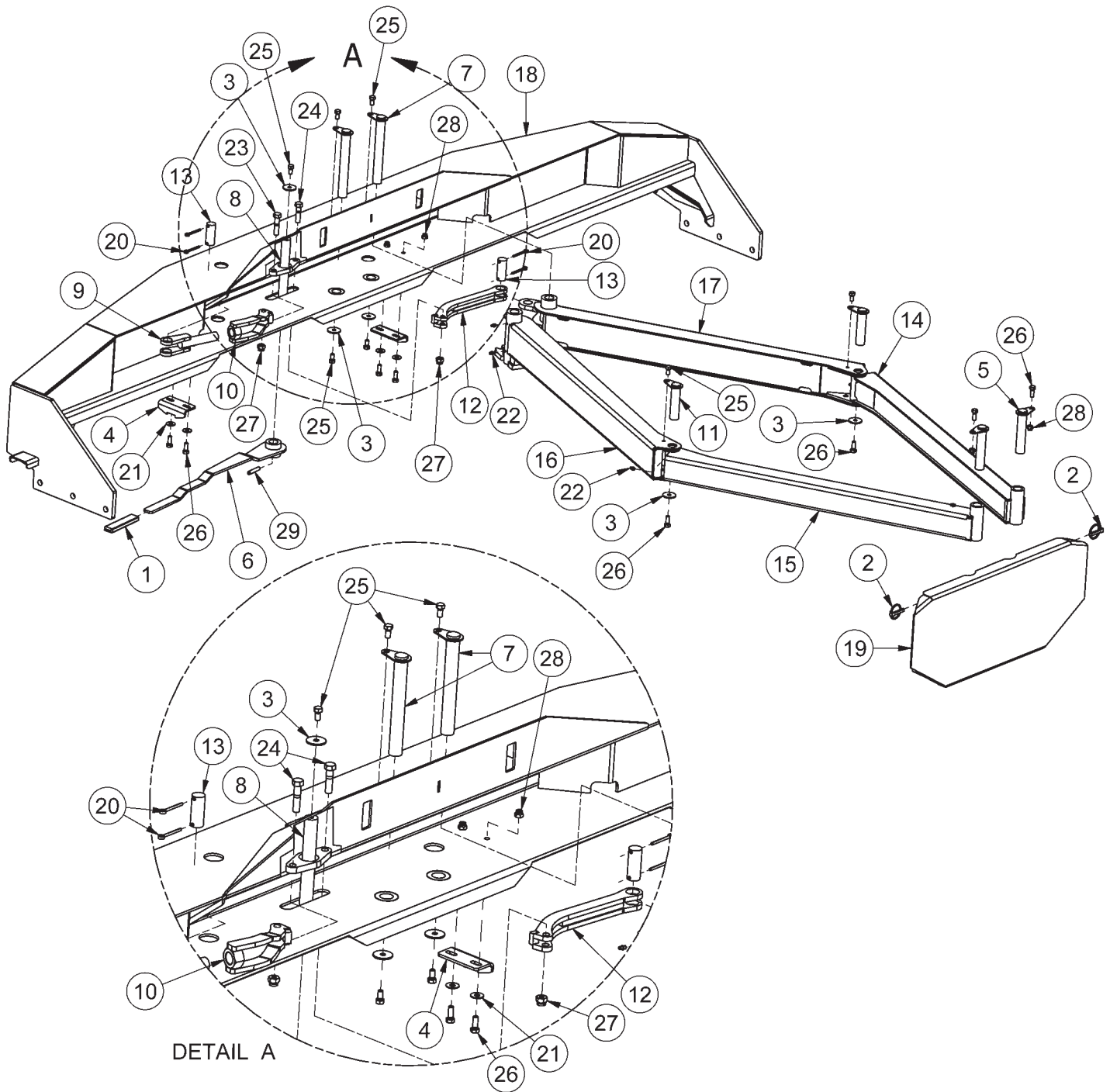
Side Rails



Side Rails

ITEM	QTY	PART NUMBER	DESCRIPTION	NOTE
1	2	40253	Rod Ported Ram Cylinder	
2	1	44720	Speed Sensor Guide	
3	1	47115	Left Side Ram Tube	
4	1	47125	Right Side Ram Tube	
5	1	47172	Left Side Rail	
6	1	47180	Right Side Rail	
7	2	47230	Ram Cylinder Pin	
8	1	47274	Back Left Side Shield	
9	1	47279	Back Right Side Shield	
10	1	47330	TL70 Complete Ram Asm	Pg.1-24
11	1	47331	ECV Encoder Bracket Asm	Pg.4-6
12	6	CB5/16-18X1CZ5	Carriage Bolt - 5/16-18 x 1" Grade 5 Zinc	
13	2	CP.188 X 2	3-16 x 2.25 Cotter Pin, Brass	
14	2	FW 1/2	Flatwasher - 1/2" Zinc Plated USS	
15	7	FW 1/4	Flatwasher - 1/4" Zinc Plated USS	
16	6	FW 3/4	Flatwasher - 3/4" Zinc Plated USS	
17	27	FW 3/8	Flatwasher - 3/8" Zinc Plated USS	
18	6	FW 5/16	Flatwasher - 5/16" Zinc Plated USS	
19	6	GR 1/4 X 28	Grease Fitting 1/4-28 Straight Standard Zerk	
20	2	HB1/2-13X1.5Z5	Hex Bolt 1/2-13x1 1/2 Grade 5 Zinc Plated Hex Cap Screw	
21	20	HB3/8-16X1.25Z5	Hex Bolt 3/8-16x1 1/4 Grade 5 Zinc Plated Hex Cap Screw	
22	6	HB5/8-18X1.75YZ8	Hex Bolt 5/8-18x1 3/4 Grade 8 Zinc Hex Cap Screw	
23	6	HNJ3/4-10	Hex Nut - 3/4-10 Zinc Plated Hex Jam Nut	
24	24	LN3/8-16NCZ5	LN 3/8-16 Zinc Plated Nylon Insert Lock Nut	
25	6	LN5/8-11TCZ5	LN5/8-11 Gr.C Zinc Top Lock Nut	
26	6	LN5/16-18NCZ5	LN 5/16-18 Zinc Plated Nylon Insert Lock Nut	
27	7	MS 10 X 0.75 SDS	Machine Screw - 10 x 3/4 Hex Washer Head Self Drilling Screw Zinc	
28	6	TL5X2-301-156	Ram Wheel Axle	
29	2	TL550-100-042	Ram Cylinder Pin	
30	6	TLWHEEL0205	Ram Rail Wheel	

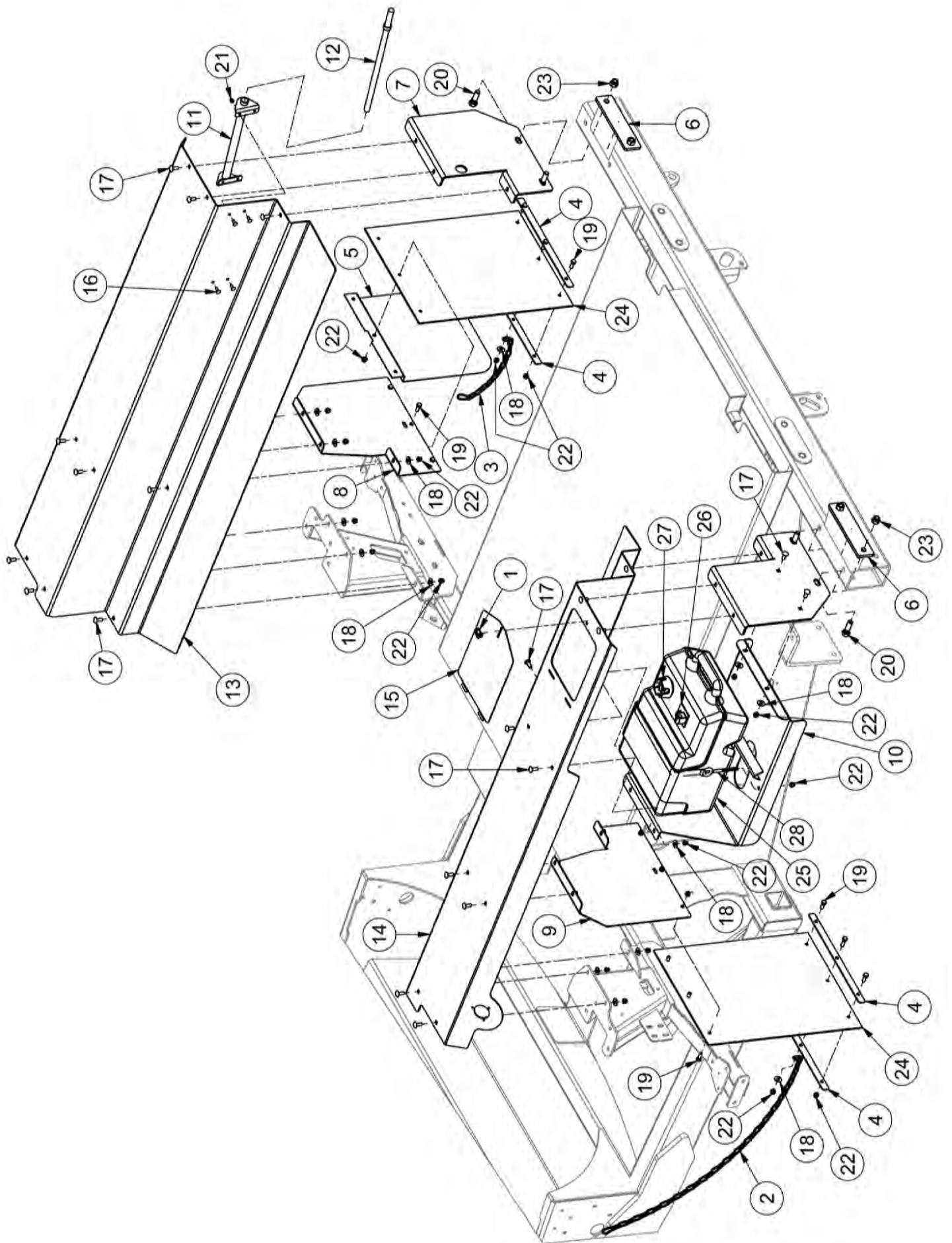
47730 - Complete Ram



47730 - Complete Ram

ITEM	QTY	PART NUMBER	DESCRIPTION	NOTE
1	1	22707	Rubber Handle for 3/8 X 1 Flat Bar	
2	2	28940	Lynch Pin - 3/8 X 1-3/4"	
3	5	30924	Pin Washer	
4	2	30958	Handle Holder	
5	2	30980	Last Pushoff Plate Pin	
6	1	30981	Last Pushoff Handle	
7	2	30982	Pushoff Middle Pin	
8	1	30983	Linkage Pivot	
9	1	30985	Linkage Adjuster	
10	1	30986	Pivot Adjuster	
11	2	30988	Arm Joint Pin	
12	1	30989	Solid Pivot Arm	
13	2	30993	Ram Linkage Mount Pin	
14	1	44112	Right Small Arm	30462 before SN 2170L022
15	1	44113	Left Small Arm	30457 before SN 2170L022
16	1	44116	Left Large Arm	30455 before SN 2170L022
17	1	44117	Right Large Arm	30456 before SN 2170L022
18	1	47099	TL70 Ram Base	
19	1	47334	Push Plate	
20	4	CP.188 X 2	3-16 x 2.25 Cotter Pin, Brass	
21	4	FW 3/8	Flatwasher - 3/8" Zinc Plated USS	
22	8	GR 1/4 X 28	Grease Fitting 1/4-28 Straight Standard Zerk	
23	1	HB1/2-13X2.25Z5	Hex Bolt 1/2-13x2 1/4 Grade 5 Zinc Plated Hex Cap Screw	
24	1	HB1/2-13X2Z5	Hex Bolt 1/2-13x2 Grade 5 Zinc Plated Hex Cap Screw	
25	7	HB3/8-16X0.75Z5	Hex Bolt 3/8-16x3/4 Grade 5 Zinc Plated Hex Cap Screw	
26	8	HB3/8-16X1Z5	Hex Bolt 3/8-16x1 Grade 5 Zinc Plated Hex Cap Screw	
27	2	LN1/2-13NCZ5	LN 1/2-13 Zinc Plated Nylon Insert Lock Nut	
28	6	LN3/8-16NCZ5	LN 3/8-16 Zinc Plated Nylon Insert Lock Nut	
29	1	RP 3/8 x 2	Pin - Roll Pin 3/8 x 2	

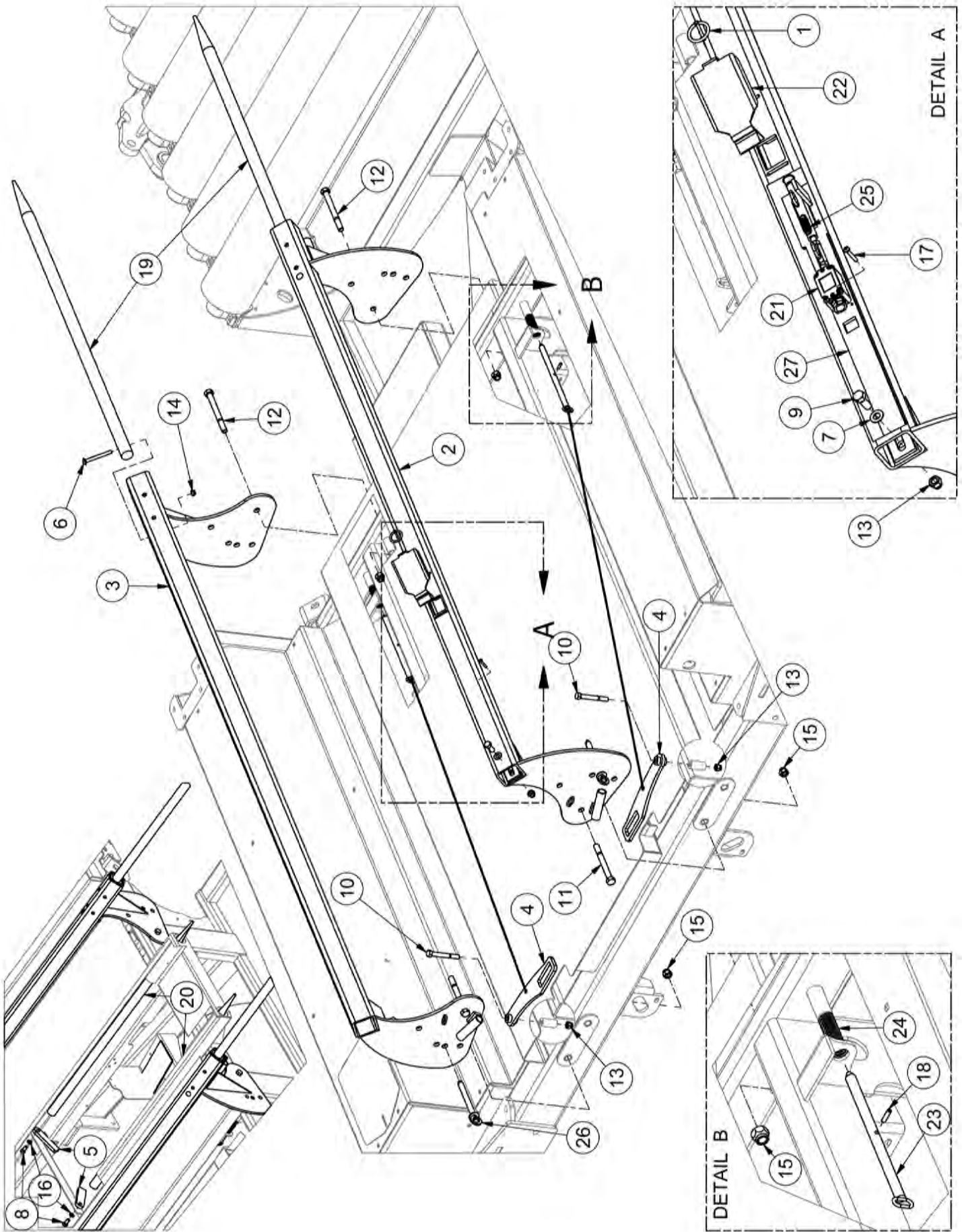
Bale Deck



Bale Deck

ITEM	QTY	PART NUMBER	DESCRIPTION
1	1	36268	Cam Lock
2	1	40958	Mud Flap Chain RH
3	1	40959	Mud Flap Chain LH
4	5	44232	Mud Flap Bracket
5	1	44234	Mud Flap Shield
6	2	47225	Back Bolt-On
7	1	47237	Left Fender Mount
8	1	47239	Left Mud Flap Bracket
9	1	47240	HRP 0.135 in
10	1	47241	Gas Tank Mount
11	1	47257	Riser Handle Holder
12	1	47260	Saddle Adjust Handle
13	1	47262	Left Side Fender
14	1	47263	Right Side Fender
15	1	47264	Gas Fill Lid
16	4	CB 1/4-20 X0.75 Z5	Carriage Bolt - 1/4-20 x 3/4" Grade 5 Zinc
17	23	CB 3/8-16 X1 Z5	Carriage Bolt - 3/8-16 x 1" Grade 5 Zinc
18	25	FW 3/8	Flatwasher - 3/8" Zinc Plated USS
19	10	HB 3/8-16X1 Z5	Hex Bolt 3/8-16x1 Grade 5 Zinc Plated Hex Cap Screw
20	4	HB 5/8-11X2 Z5	Hex Bolt 5/8-11x2 Grade 5 Zinc Plated Hex Cap Screw
21	4	LN 1/4 N	LN 1/4-20 Zinc Plated Nylon Insert Lock Nut
22	37	LN 3/8 N	LN 3/8-16 Zinc Plated Nylon Insert Lock Nut
23	2	LN 5/8 N	LN 5/8-11 Zinc Plated Nylon Insert Lock Nut
24	2	TL500-100-163	Mud Flap
25	1	TL550-204-100	Fuel Tank
26	1	TL550-204-103	Fuel Gauge - Bale Wrapper
27	1	TL550-204-101	Fuel Tank Vented Cap
28	1	TL550-204-110	Tie Down Strap (Fuel Tank)

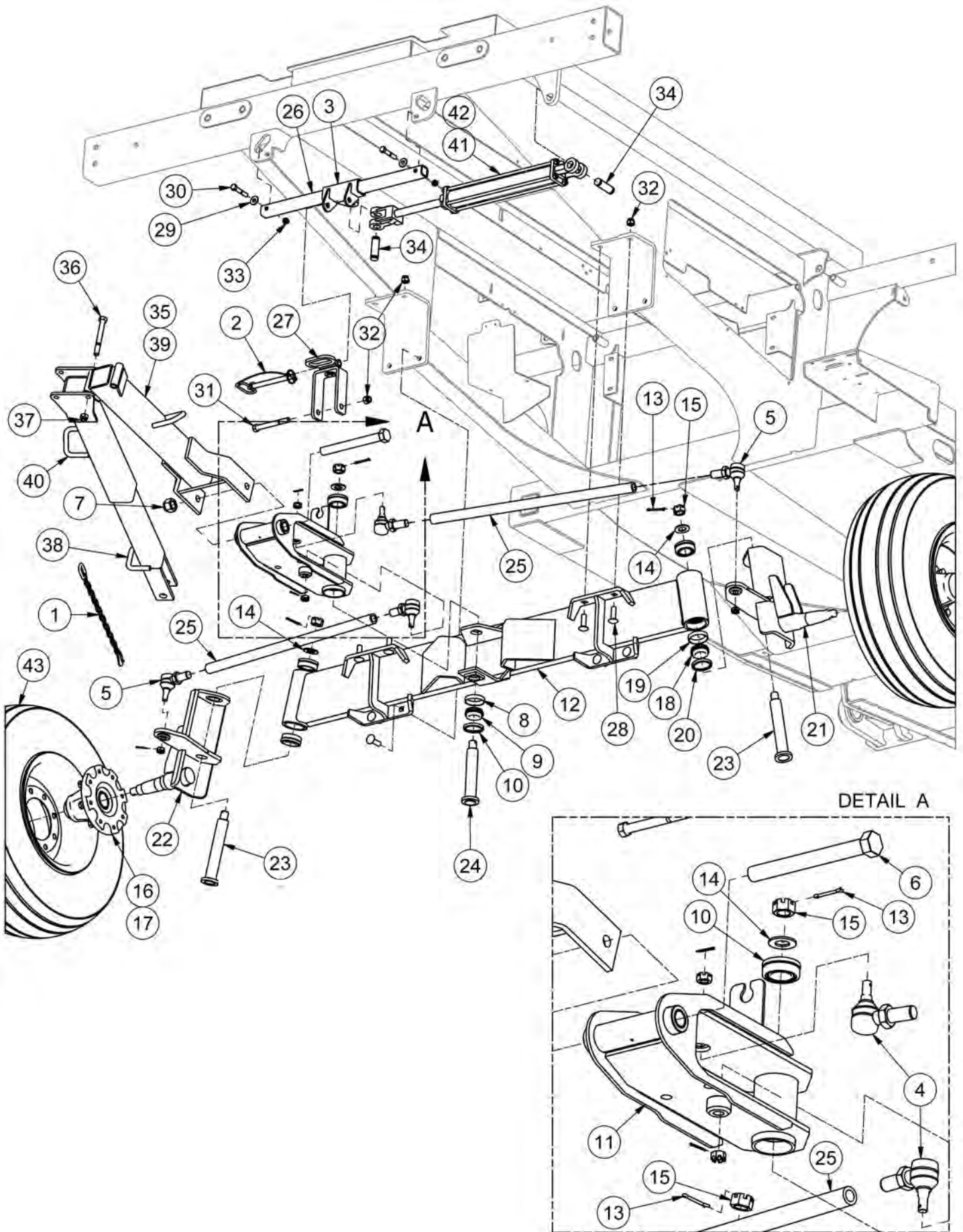
Bale Saddles



Bale Saddles

ITEM	QTY	PART NUMBER	DESCRIPTION
1	1	25680	Linch Pin 3/16 X 1.5
2	1	47112	Left Bale Saddle
3	1	47114	Right Bale Saddle
4	2	47227	Cable Handle
5	2	47236	Center Spear Handle
6	2	CB 3/8-16 X3.5 Z5	Carriage Bolt - 3/8-16 x 3 1/2" Grade 5 Zinc
7	1	FW 1/2	Flatwasher - 1/2" Zinc Plated USS
8	2	HB 1/2-13X1 Z5	Hex Bolt 1/2-13x1 Grade 5 Zinc Plated Hex Cap Screw
9	1	HB 1/2-13X1.25 Z5	Hex Bolt 1/2-13x1 1/4 Grade 5 Zinc Plated Hex Cap Screw
10	2	HB 1/2-13X4 Z5	Hex Bolt 1/2-13x4 Grade 5 Zinc Plated Hex Cap Screw
11	2	HB 5/8-11X6 Z5	Hex Bolt 5/8-11x6 Grade 5 Zinc Plated Hex Cap Screw
12	2	HB 5/8-11X6.5 Z5	Hex Bolt 5/8-11x6 1/2 Grade 5 Zinc Plated Hex Cap Screw
13	3	LN 1/2 N	LN 1/2-13 Zinc Plated Nylon Insert Lock Nut
14	5	LN 3/8 N	LN 3/8-16 Zinc Plated Nylon Insert Lock Nut
15	4	LN 5/8 N	LN 5/8-11 Zinc Plated Nylon Insert Lock Nut
16	2	LW 1/2	LW - 1/2" Zinc Plated Medium Split
17	4	MS #12X24X1.5	Machine Screw - (Inch)
18	2	RP 1/4 x 1	Pin - Roll Pin 1/4 x 1
19	2	T5502251	Bale Spear (Outside)
20	2	T6502119	Bale Spear (Inside)
21	1	32634	ECV Bale Trigger Switch
22	1	TL5X2-301-142	Bale Trigger
23	2	TL6X2-101-147	Rear Saddle Pin
24	2	TL6X2-101-148	C2464-267-0889 Compression Spring
25	1	TL500-100-062	Extension Spring (Trigger)
26	2	TL550-200-104	Front Bale Saddle Pin
27	1	TL553900	Trigger Switch

Steering

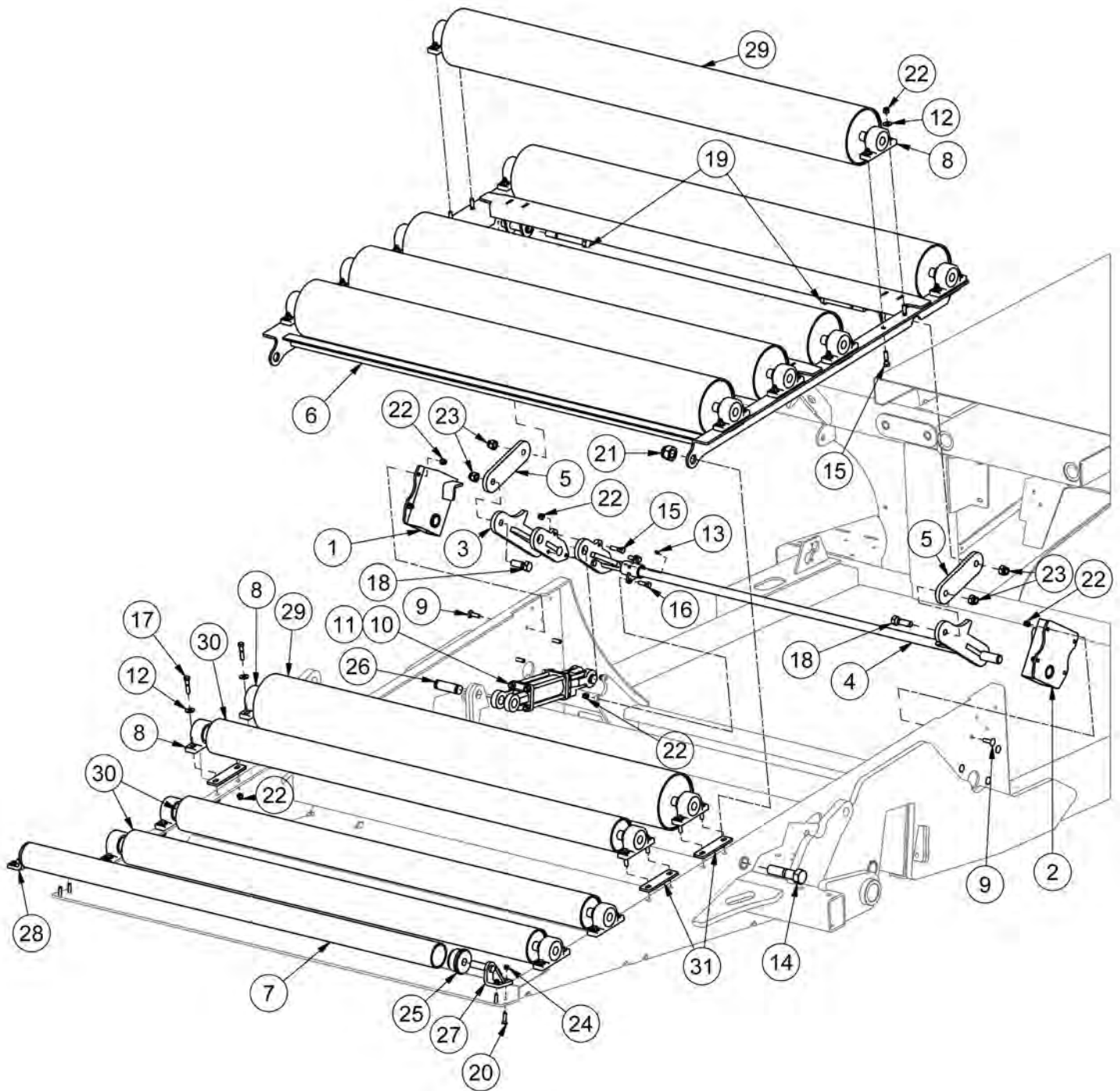


Steering

ITEM	QTY	PART NUMBER	DESCRIPTION
1	1	25261	Safety Chain 10000 # 59"
2	1	25522	Hitch Pin 5/8 X 6.5
3	1	44547	Steering Cylinder Mount
4	2	TL550-111-006	Tie Rod End RH Thread
5	2	TL550-111-007	Tie Rod End LH Thread
6	1	HB1.0-8X8.0CZ5	1"-8 x 8" Grade 5 Zinc Finish Hex Cap Screw
7	1	LN1-8TCZ5	1"-8 Grade 5 Zinc Finish Steel Top Lock Nut
8	2	TL550-111-009	Tongue Bracket Timkin Cup
9	2	TL550-111-010	Tongue Bracket Timkin Bearing
10	2	TL550-111-011	Tongue Bracket Seal
11	1	TL650-221-083	Tongue Bracket Assembly
12	1	47080	TL70 Front Axle
13	3	CP 3/16 X 2.0	Pin, Cotter - 3/16" X 2.0"
14	3	FW 1.0	Flatwasher - 1" Zinc Plated USS
15	3	HNC1.0-12FB5	1-12 Grade 5 Plain Castle Nut
16	2	HUB 6500	6500 Hub c/w Parts
17	2	HUB 6500-CCS	Complete Bearing and Seals for HUB6500
18	4	TL550-200-080	Spindle Bearing Timkin Cone
19	4	TL550-200-081	Spindle Bearing Timkin Cup
20	4	TL550-200-082	Spindle Bearing Seal
21	1	TL650-100-083	Left Side Spindle Assembly
22	1	TL650-100-084	Right Side Spindle Assembly
23	2	TL650-100-085	Spindle Pin
24	1	TL650-221-055	Tongue Bracket Pin
25	2	TL650-221-082	Tie Rod (32")
26	1	47183	Steering Tube
27	1	47184	TL70 Tongue Holder
28	8	CB 5/8-11 X2 Z5	Carriage Bolt - 5/8-11 x 2" Grade 5 Zinc
29	2	FW 1/2	Flatwasher - 1/2" Zinc Plated USS
30	2	HB 1/2-13X2.75 Z5	Hex Bolt 1/2-13x2 3/4 Grade 5 Zinc Plated Hex Cap Screw
31	1	HB 5/8-11X5.5 Z5	Hex Bolt 5/8-11x5 1/2 Grade 5 Zinc Plated Hex Cap Screw
32	9	LN 5/8 N	LN 5/8-11 Zinc Plated Nylon Insert Lock Nut
33	2	LN 7/16 N	LN 7/16-14 Zinc Plated Nylon Insert Lock Nut
34	2	TL5X2-500-116	Cylinder Pin
35	1	TL6X2-100-051	Tongue
36	1	HB 5/8-11X5.5 Z5	Hex Bolt 5/8-11x5 1/2 Grade 5 Zinc Plated Hex Cap Screw
37	1	LN 5/8 N	LN 5/8-11 Zinc Plated Nylon Insert Lock Nut
38	1	TL6X2-100-053	Sliding Tongue
39	1	TL6X2-101-051	Main Tongue
40	1	TL6X2-101-052	Swinging Tongue
41	1	TL500-100-103	Hydraulic Cylinder, 2 x 16
42	1	SK AGU201125-10	Seal Kit - 2" Kinacor Cylinder
43	2	WHE 12.5X15X12	12.5 x 15 12 Ply HS Includes Rim

*When ordering tie rod ends check if you need a left hand or right hand thread.
Tie rods require both a left and right hand thread.

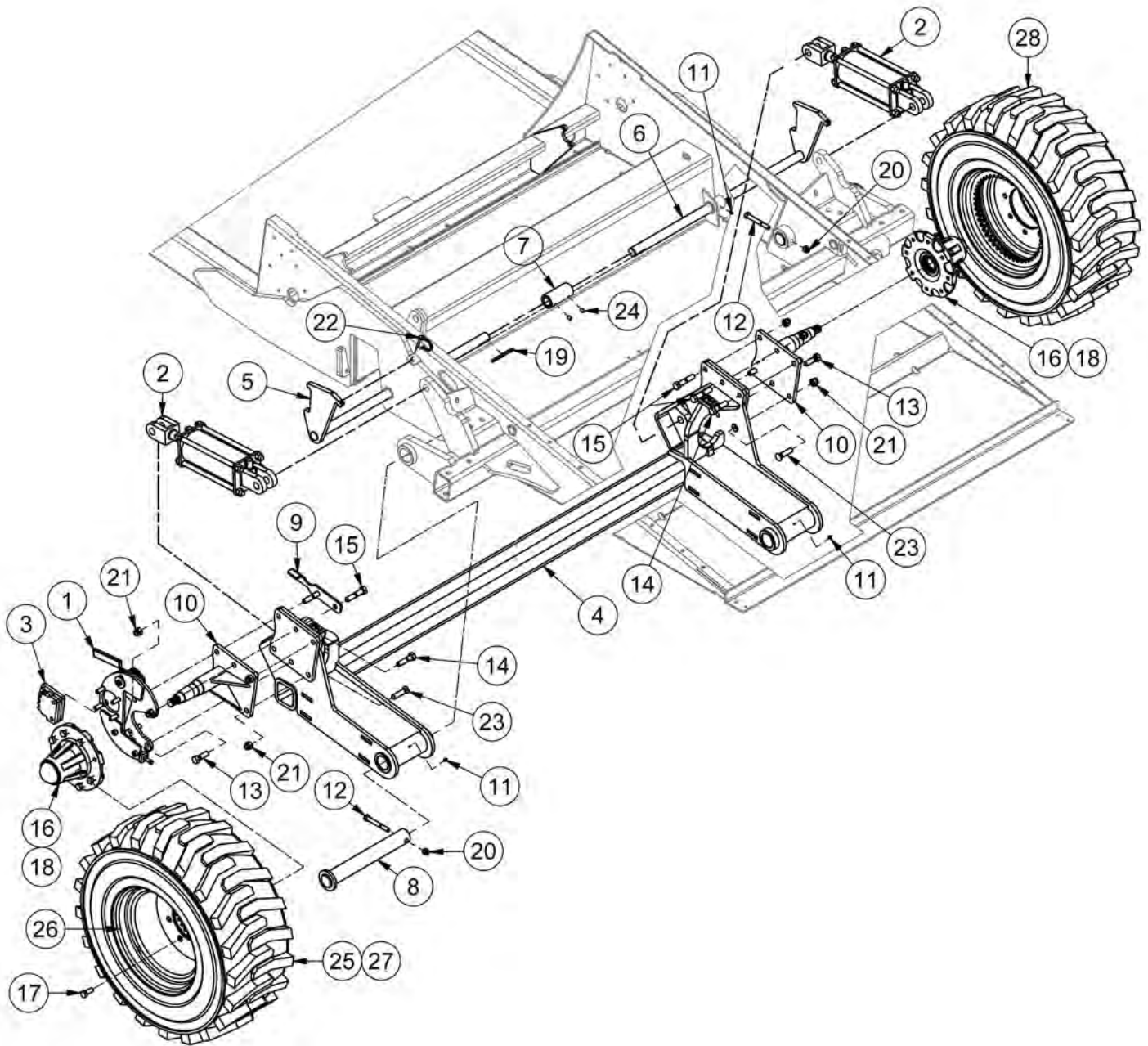
Roller Bed



Roller Bed

ITEM	QTY	PART NUMBER	DESCRIPTION
1	1	47193	Linkage Pivot Bracket
2	1	47198	Linkage Pivot Bracket
3	1	47200	Lift Linkage
4	1	47205	Lift Linkage
5	2	47209	Roller Bed Top Link
6	1	47210	Roller Bed
7	1	47332	Rear Small Roller
8	18	BEA P205-16-1	Pillow Block Bearing 1"- BEA SBP205-16-1
9	8	CB 3/8-16 X1.25 Z5	Carriage Bolt - 3/8-16 x 1 1/4" Grade 5 Zinc
10	1	CYL HYS20AGU04-10	Hydraulic Cylinder - 2" X 4"
11	1	SK AGU201125-10	Seal Kit - 2" Kinecor Cylinder
12	52	FW 3/8	Flatwasher - 3/8" Zinc Plated USS
13	3	GR 1/4 X 28	Grease Fitting 1/4-28 Straight Standard Zerk
14	2	HB 1-8X4 Z5	Hex Bolt 1-8x4 Grade 5 Zinc Plated Hex Cap Screw
15	31	HB 3/8-16X1.5 Z5	Hex Bolt 3/8-16x1 1/2 Grade 5 Zinc Plated Hex Cap Screw
16	2	HB 3/8-16X1.25 Z5	Hex Bolt 3/8-16x1 1/4 Grade 5 Zinc Plated Hex Cap Screw
17	8	HB 3/8-16X1.75 Z5	Hex Bolt 3/8-16x1 3/4 Grade 5 Zinc Plated Hex Cap Screw
18	2	HB 5/8-11X2 Z5	Hex Bolt 5/8-11x2 Grade 5 Zinc Plated Hex Cap Screw
19	2	HB 5/8-11X5.5 Z5	Hex Bolt 5/8-11x5 1/2 Grade 5 Zinc Plated Hex Cap Screw
20	4	HB 5/16-18X1.25 FHSCS	Hex Bolt - 5/16"-18 x 1 1/4" Flat Socket Cap Screw
21	2	LN 1 N	LN 1-8 Zinc Plated Nylon Insert Lock Nut
22	49	LN 3/8 N	LN 3/8-16 Zinc Plated Nylon Insert Lock Nut
23	5	LN 5/8 N	LN 5/8-11 Zinc Plated Nylon Insert Lock Nut
24	4	LN 5/16 N	LN 5/16-18 Zinc Plated Nylon Insert Lock Nut
25	2	T650RL04	Small Roller Bearing
26	2	TL5X2-500-116	Cylinder Pin
27	1	TL550-200-004	Right Rear Small Roller Mount
28	1	TL550-200-005	Left Rear Small Roller Mount
29	6	TL650-100-086	Large Roller
30	3	TL650-100-099	4" Roller
31	4	TL551310	Roller Spacer Plate

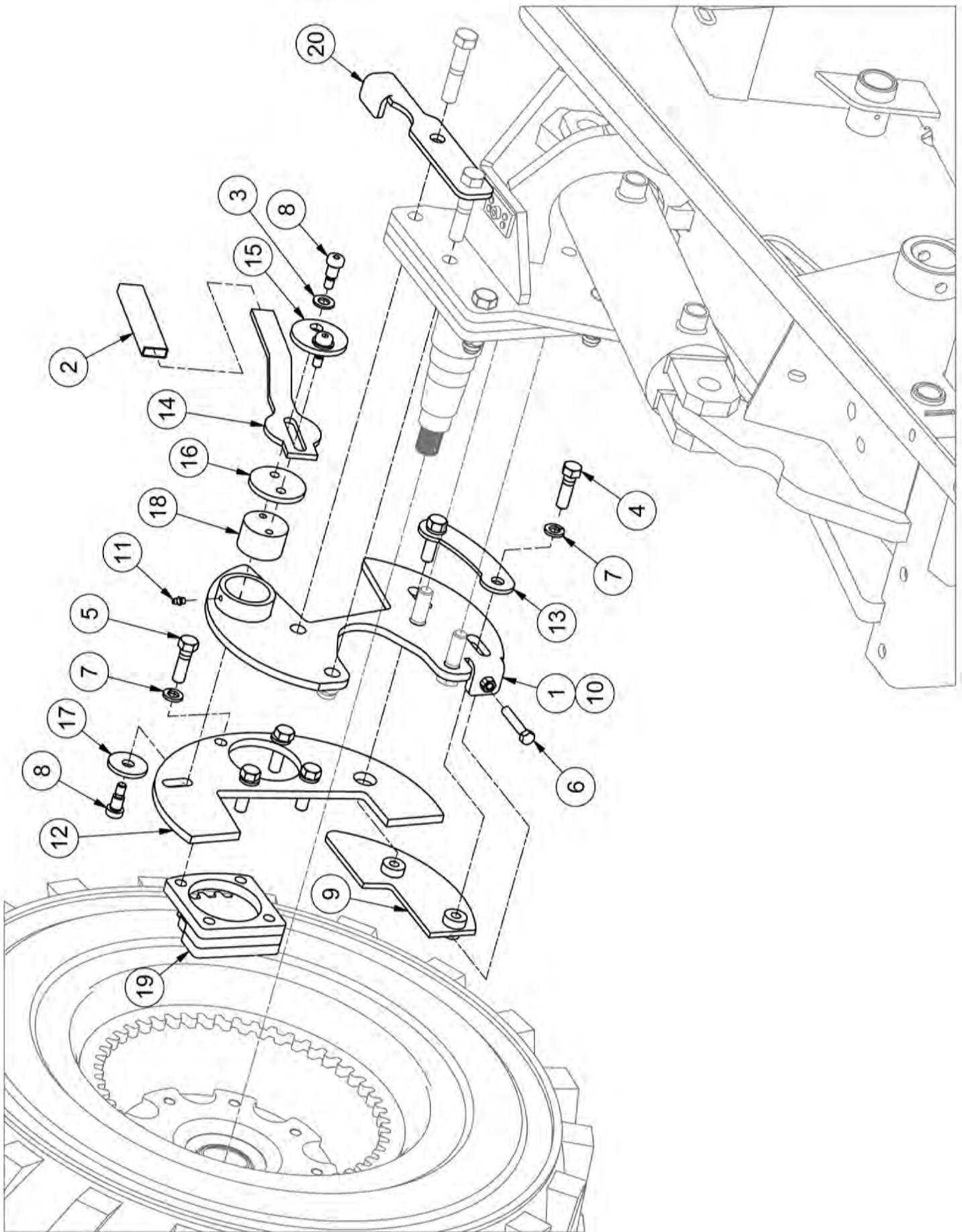
Rear Axle



Rear Axle

ITEM	QTY	PART NUMBER	DESCRIPTION	NOTE
1	1	28779	Left Power Drive	Refer to Pg.1-36
2	2	46792	Hydraulic Cylinder 4.0 x 8.0	TL5X2-100-207 Up to SN 2170L015
3	1	46990	TL70 Brake Pad	
4	1	47085	TL70 Axle	
5	1	47218	Left Transport Lock	
6	1	47221	Right Transport Lock	
7	1	47222	Shaft Coupler	
8	2	47233	Axle Pivot Pin	
9	1	47486	Left Side Handle Stop	
10	2	48662	Rear Spindle Weldment	
11	4	GR 1/4 X 28	Grease Fitting 1/4-28 Straight Standard Zerk	
12	2	HB1/2-13X4Z5	Hex Bolt 1/2-13x4 Grade 5 Zinc Plated Hex Cap Screw	
13	4	HB5/8-11X2Z5	Hex Bolt 5/8-11x2 Grade 5 Zinc Plated Hex Cap Screw	
14	2	HB5/8-11X2.5Z5	Hex Bolt 5/8-11x2 1/2 Grade 5 Zinc Plated Hex Cap Screw	
15	4	HB5/8-11X3Z5	Hex Bolt 5/8-11x3 Grade 5 Zinc Plated Hex Cap Screw	
16	2	HUB 6500	Wrapper Hub Model	
17	16	TL500-100-072	Wheel Stud - Wheel Bolt 9/16 X 1 3/4	
18	2	HUB 6500-CCS	Complete Bearing and Seals for HUB6500	
19	1	KS46962	Keystock .25 x 4	
20	2	LN1/2-13NCZ5	LN 1/2-13 Zinc Plated Nylon Insert Lock Nut	
21	8	LN5/8-11NCZ5	LN 5/8-11 Zinc Plated Nylon Insert Lock Nut	
22	1	LP B1995	Pin - Lock Pin 1/4 X 1 3/4	
23	2	PB 5/8-11X2.5	Plow Bolts - 5/8-11 x 2 1/2 Flat Head Gr.5	
24	2	SS3/8-16CX0.51CP	Allan Head Set Screw, 3/8-16 x 1/2	
25	1	48318	WHE12-16.5 Left Asm	Incl. Items 26,27
26	1	48241	TL70 Rim c/w Gear	
27	1	WHE12-16.5	Tire only-12-16.5 Galaxy Beefy Baby R-410PR	
28	1	48319	WHE12-16.5 Right Asm	Incl. Items 26,27

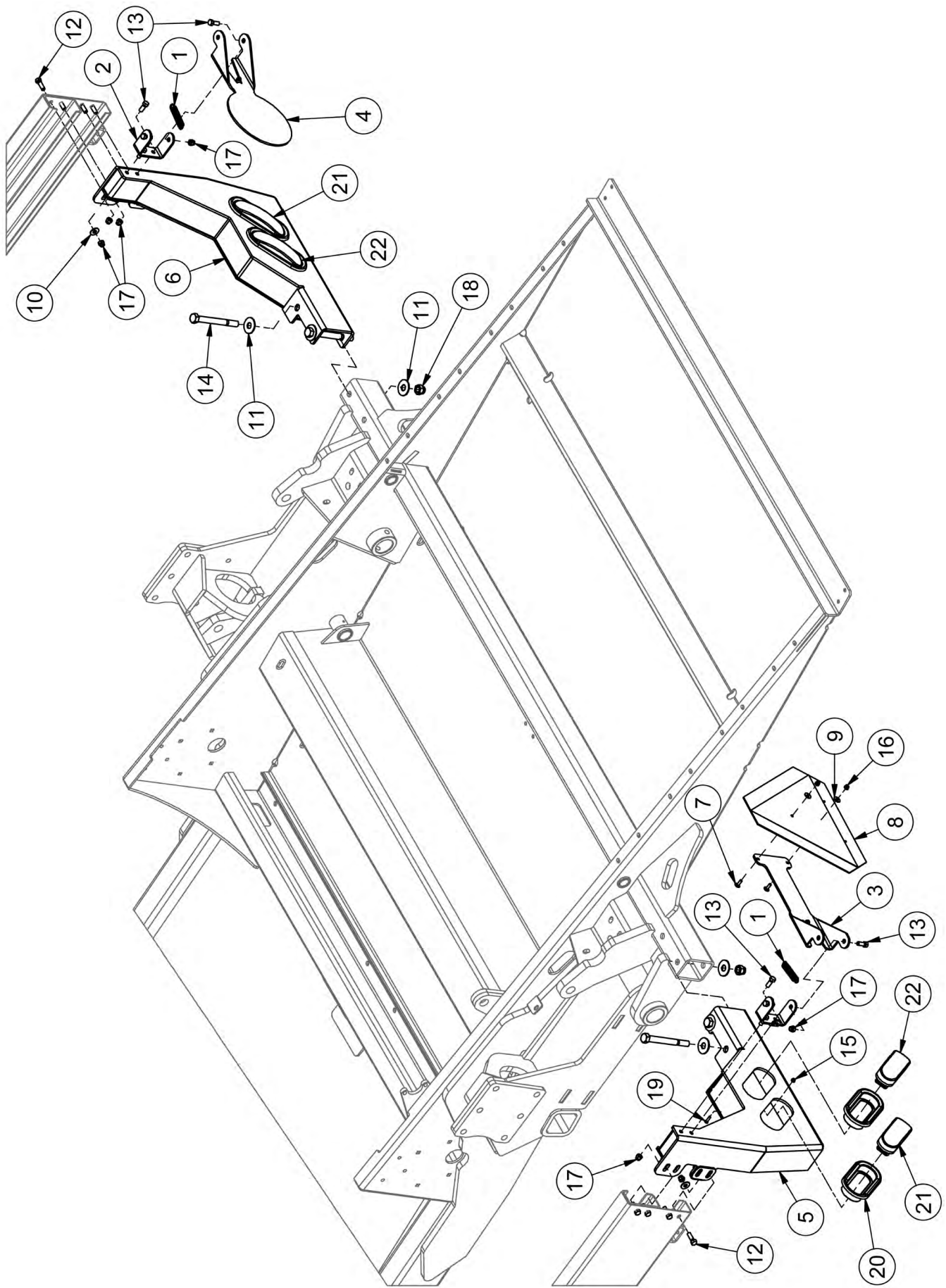
Parking Brake



Parking Brake

ITEM	QTY	PART NUMBER	DESCRIPTION	NOTE
1	1	28779	Left Power Drive	Inc. Items 2-18
2	1	22707	Rubber Handle for 3/8 X 1 Flat Bar	
3	2	FWSAE 1/2	Flatwasher - 1/2" Zinc Plated SAE	
4	2	HB 1/2-13X1.75 Z5	Hex Bolt 1/2-13x1 3/4 Grade 5 Zinc Plated Hex Cap Screw	
5	4	HB1/2-13X1.75Z5	Hex Bolt 1/2-13x1 3/4 Grade 5 Zinc Plated Hex Cap Screw	
6	1	HB3/8-16X2.0TCZ5	3/8"-16 x 2" SAE J429 Grade 5 Zinc Finish Steel Tap Bolt	
7	6	LW 1/2	LW - 1/2" Zinc Plated Medium Split	
8	3	SHSS1/2X5/8X3/8-16Z	Socket Head Shoulder Screws - 1/2 Shldr x 5/8 x 3/8-16	
9	1	TLWHEEL30	Powerdrive Part	
10	1	TLWHEEL3108	Left Powerdrive HD Bracket	
11	1	GR 1/4 X 28	Grease Fitting 1/4-28 Straight Standard Zerk	
12	1	WHEEL1108	Powerdrive Motor Mount	
13	1	WHEEL14	Powerdrive Part	
14	1	WHEEL2011	Powerdrive Handle	
15	1	WHEEL2012	Outside Handle Washer	
16	1	WHEEL20121	Inside Handle Washer	
17	1	WHEEL2013	Inside Cam Washer	
18	1	WHEEL9	Eccentric	
19	1	46990	TL70 Brake Pad	
20	1	47486	Left Side Handle Stop	

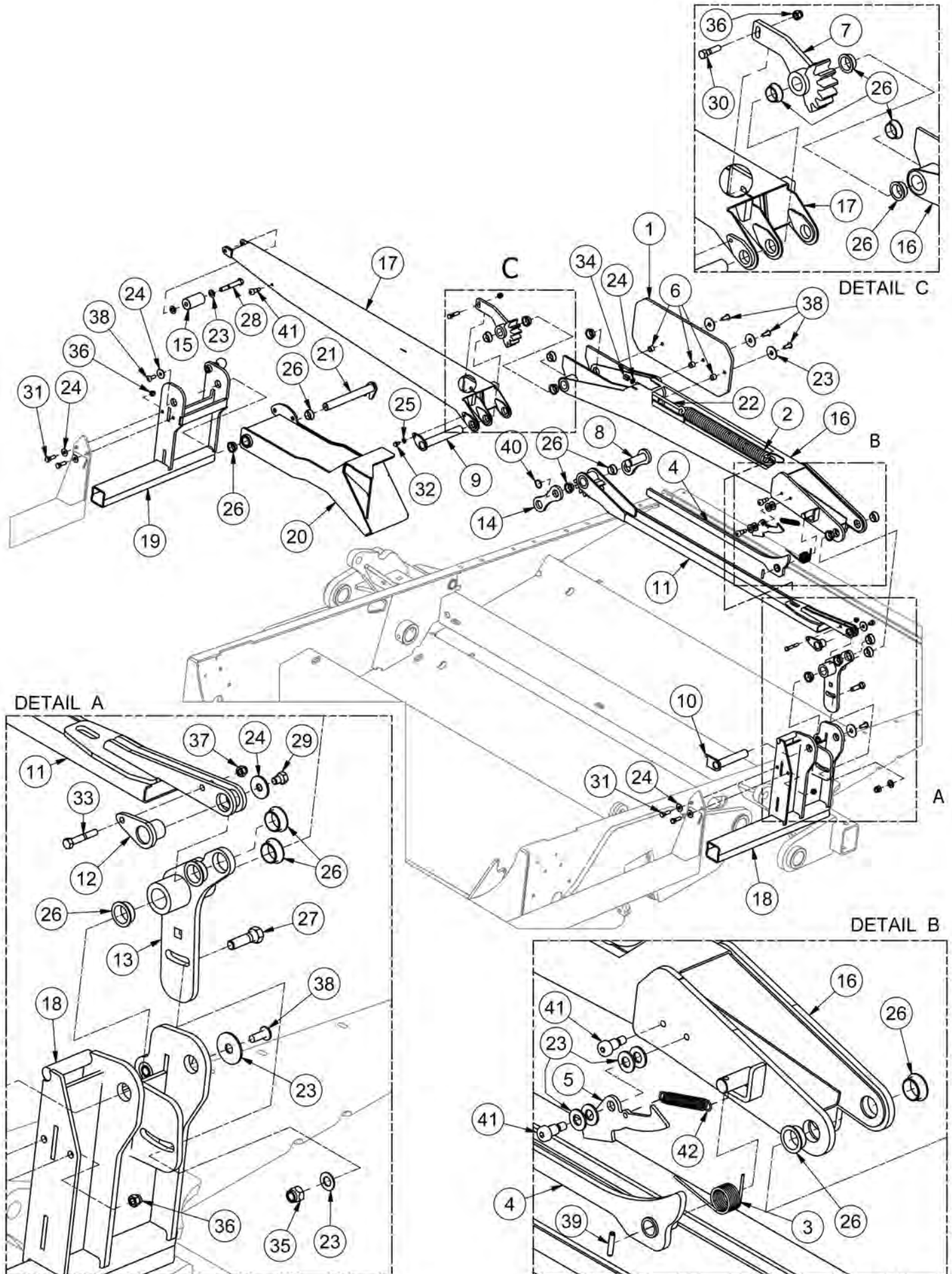
Rear Light Brackets



Rear Light Brackets

ITEM	QTY	PART NUMBER	DESCRIPTION
1	2	28771	SMV Spring
2	2	44203	SMV C Bracket
3	1	44204	SMV Attachment
4	1	45923	SIS Mount
5	1	47165	Left Side Light Bracket
6	1	47170	Right Side Light Bracket
7	2	CB1/4-20X0.75CZ5	Carriage Bolt - 1/4-20 x 3/4" Grade 5 Zinc
8	1	DESMV	Slow Moving Vehicle Sign
9	2	FW 1/4	Flatwasher - 1/4" Zinc Plated USS
10	8	FW 3/8	Flatwasher - 3/8" Zinc Plated USS
11	8	FW 5/8	Flatwasher - 5/8" Zinc Plated USS
12	8	HB3/8-16X1.25Z5	Hex Bolt 3/8-16x1 1/4 Grade 5 Zinc Plated Hex Cap Screw
13	8	HB3/8-16X1Z5	Hex Bolt 3/8-16x1 Grade 5 Zinc Plated Hex Cap Screw
14	4	HB5/8-11X6Z5	Hex Bolt 5/8-11x6 Grade 5 Zinc Plated Hex Cap Screw
15	2	LN #10 N	LN 3/16-24 Zinc Plated Nylon Insert Lock Nut
16	2	LN1/4-20NCZ5	LN 1/4-20 Zinc Plated Nylon Insert Lock Nut
17	16	LN3/8-16NCZ5	LN 3/8-16 Zinc Plated Nylon Insert Lock Nut
18	4	LN5/8-11NCZ5	LN 5/8-11 Zinc Plated Nylon Insert Lock Nut
19	2	MS #10X24X0.75	Machine Screw - (Inch)
20	4	TL5X2-500-136	Light Mount Grommet
21	2	TL5X2-500-138	Amber Light
22	2	TL5X2-500-137	Red Brake Light

TLMPO-70 - Dispatch Arm

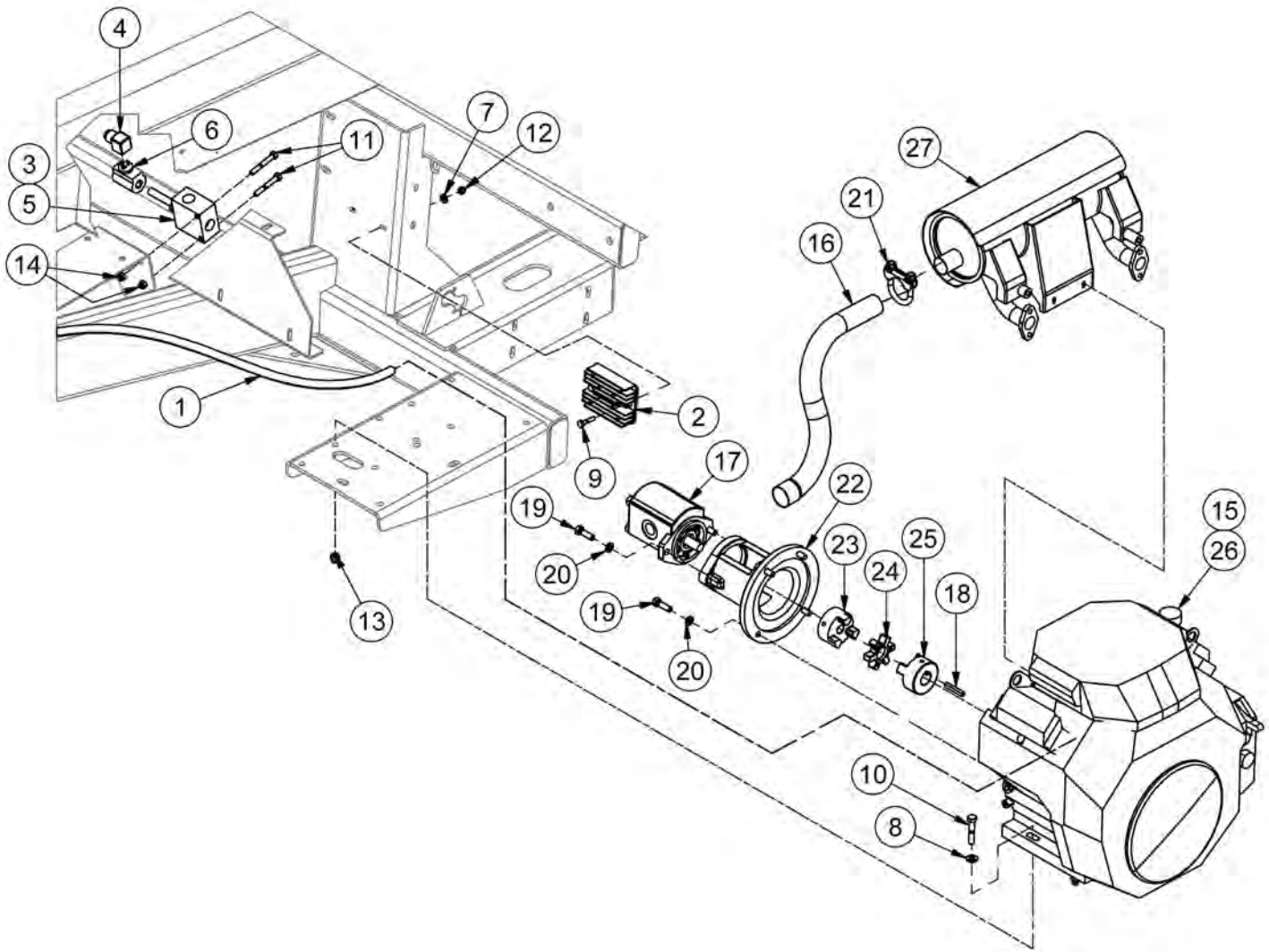


TLMPO-70 - Dispatch Arm

ITEM	QTY	PART NUMBER	DESCRIPTION
1	1	31302	Rubber Pushoff Pad
2	1	31395	Dispatch Arm spring
3	1	33230	Torsion Spring
4	1	33231	Folding Pushoff Handle
5	1	36690	Folding Pushoff Latch
6	3	36942	Rubber Plate Spacer
7	1	42570	Pushoff Arm Sprocket
8	1	42571	Welded Chain Link
9	1	42573	Center Pivot Pin
10	1	42574	Rear Pivot Pin
11	1	42575	Inner Arm Linkage
12	1	42576	Short Pivot Pin
13	1	42580	Arm Lift Linkage
14	1	42624	Linkage Plate
15	1	42636	Last Pushoff Roller
16	1	42773	Left Folding Arm
17	1	42775	Right Folding Arm
18	1	47308	Left Last Pushoff Base
19	1	47315	Right Last Pushoff Base
20	1	47320	Last Pushoff Extension Arm
21	1	47326	Pivot Pin
22	1	EB3/8-16X6.0	Eye Bolt - 3/8-16 x 6" Shank Zinc Plated Turned
23	11	FW 1/2	Flatwasher - 1/2" Zinc Plated USS
24	12	FW 3/8	Flatwasher - 3/8" Zinc Plated USS
25	1	FW 5/16	Flatwasher - 5/16" Zinc Plated USS
26	15	GFI-1618-08	IGUS Iglide G300 - Flange Bearing - Inch
27	1	HB 1/2-13X1.75 Z5	Hex Bolt 1/2-13x1 3/4 Grade 5 Zinc Plated Hex Cap Screw
28	1	HB 1/2-13X3.5 Z5	Hex Bolt 1/2-13x3 1/2 Grade 5 Zinc Plated Hex Cap Screw
29	1	HB 3/8-16X0.5 Z5	Hex Bolt 3/8-16x1/2 Grade 5 Zinc Plated Hex Cap Screw
30	1	HB 3/8-16X1.5 Z5	Hex Bolt 3/8-16x1 1/2 Grade 5 Zinc Plated Hex Cap Screw
31	4	HB 3/8-16X1.25 Z5	Hex Bolt 3/8-16x1 1/4 Grade 5 Zinc Plated Hex Cap Screw
32	1	HB 5/16-18X0.5 Z5	Hex Bolt 5/16-18x1/2 Grade 5 Zinc Plated Hex Cap Screw
33	1	HB 5/16-18X2 Z5	Hex Bolt 5/16-18x2 Grade 5 Zinc Plated Hex Cap Screw
34	2	HN 3/8	Hex Nut 3/8"-16 Grade 5 Zinc Plated Finished
35	2	LN 1/2 N	LN 1/2-13 Zinc Plated Nylon Insert Lock Nut
36	10	LN 3/8 N	LN 3/8-16 Zinc Plated Nylon Insert Lock Nut
37	1	LN 5/16 N	LN 5/16-18 Zinc Plated Nylon Insert Lock Nut
38	5	MS 3/8X16X1	Machine Screw Slot Head -Slot Truss Head
39	1	RP 1/4 x 1 1/4	Pin - Roll Pin 1/4 x 1 1/4
40	1	RR 1	Retaining Ring-1- External
41	3	SHSS1/2X5/8X3/8-16Z	Socket Head Shoulder Screws - 1/2 Shldr x 5/8 x 3/8-16
42	1	TL550-100-069	Throttle Spring

Section 2: Engine

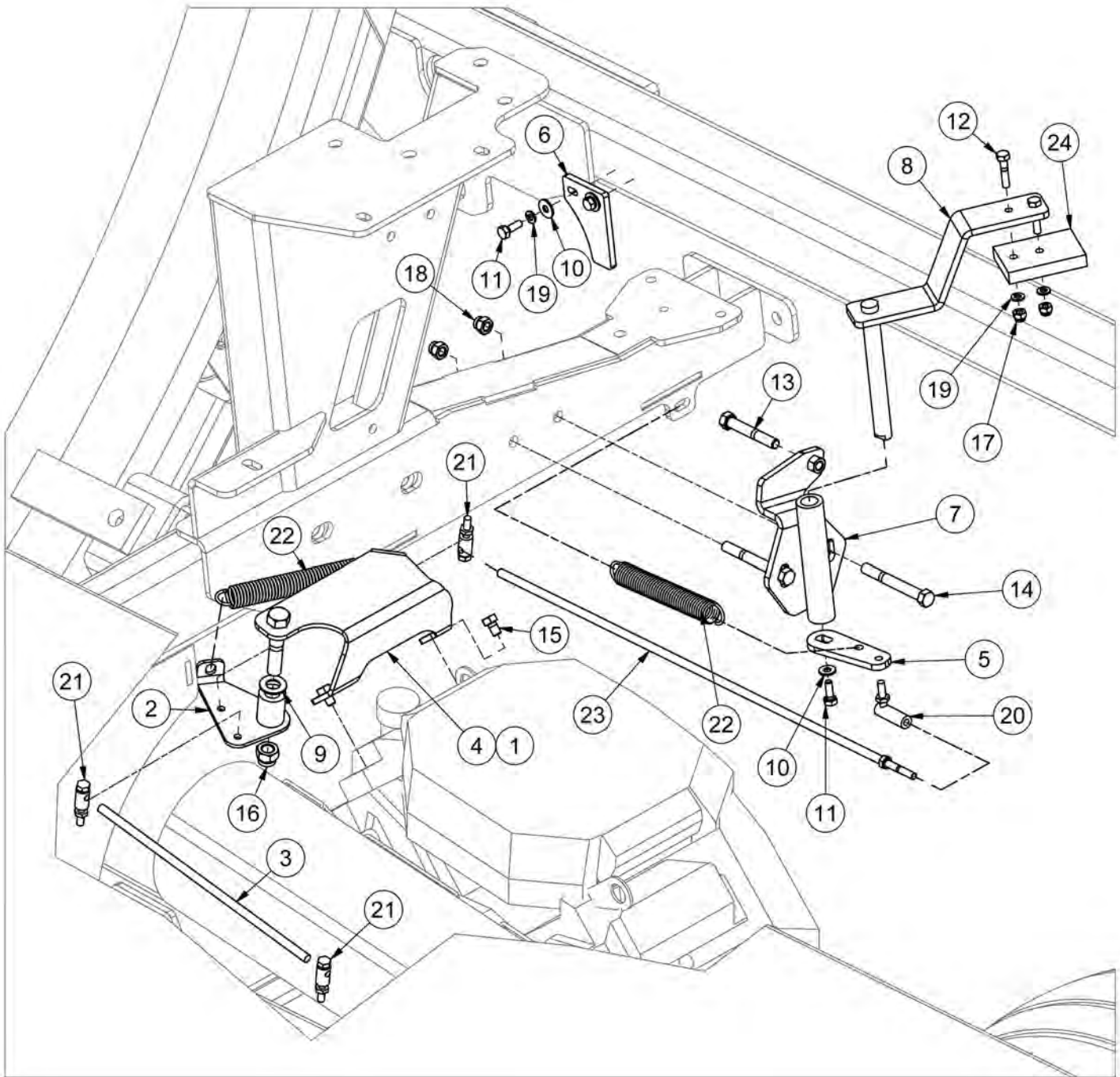
Engine - 20hp Honda



Engine - 20hp Honda

ITEM	QTY	PART NUMBER	DESCRIPTION	NOTE
1	1	40957	Long Fuel Line	
2	1	TL31750-Z2E-803	Honda 20AMP Rectifier for GX630 Engine	
3	1	TL5X2-500-161	Dump Valve - Complete	Incl. Items 4-6
4	1	31305	Wiring Harness for Dump Valve	
5	1	31545	Dump Valve Body and Cartridge (20 HP)	
6	1	31546	Dump Valve Solenoid (Coil)Square Coil	
7	2	FW 1/4	Flatwasher - 1/4" Zinc Plated USS	
8	4	FW 3/8	Flatwasher - 3/8" Zinc Plated USS	
9	2	HB1/4-20X1.25Z5	Hex Bolt 1/4-20x1 1/4 Grade 5 Zinc Plated Hex Cap Screw	
10	4	HB3/8-16X2Z5	Hex Bolt 3/8-16x2 Grade 5 Zinc Plated Hex Cap Screw	
11	2	HB5/16-18X2.25Z5	Hex Bolt 5/16-18x2 1/4 Grade 5 Zinc Plated Hex Cap Screw	
12	2	LN1/4-20NCZ5	LN 1/4-20 Zinc Plated Nylon Insert Lock Nut	
13	4	LN3/8-16NCZ5	LN 3/8-16 Zinc Plated Nylon Insert Lock Nut	
14	2	LN5/16-18NCZ5	LN 5/16-18 Zinc Plated Nylon Insert Lock Nut	
15	1	TL20HP16GPM	20 HP Honda Engine w/ 16GPM Pump	Incl. Items 16-27
16	1	36945	20 HP Muffler Pipe	
17	1	45471	16GPM Hydraulic Pump	
18	1	KS40960	Key .25 x 1.75	
19	6	HB3/8-16X1.25Z5	Hex Bolt 3/8-16x1 1/4 Grade 5 Zinc Plated Hex Cap Screw	
20	6	LW 3/8	LW - 3/8" Zinc Plated Medium Split	
21	1	MC 1 1/2	Muffler Clamp 1 1/2" Pipe (MC7112)	
22	1	TL500-100-182	Adapter, Engine to Pump	
23	1	TL500-100-183	Lovejoy Coupling Pump Side	
24	1	TL500-100-184	Coupling Spacer	
25	1	TL500-100-185	Love Joy Coupling Engine Side	
26	1	TL6X2-100-200	20 HP Honda Engine	
27	1	TLVHRM6	Muffler	

20hp Throttle Linkage

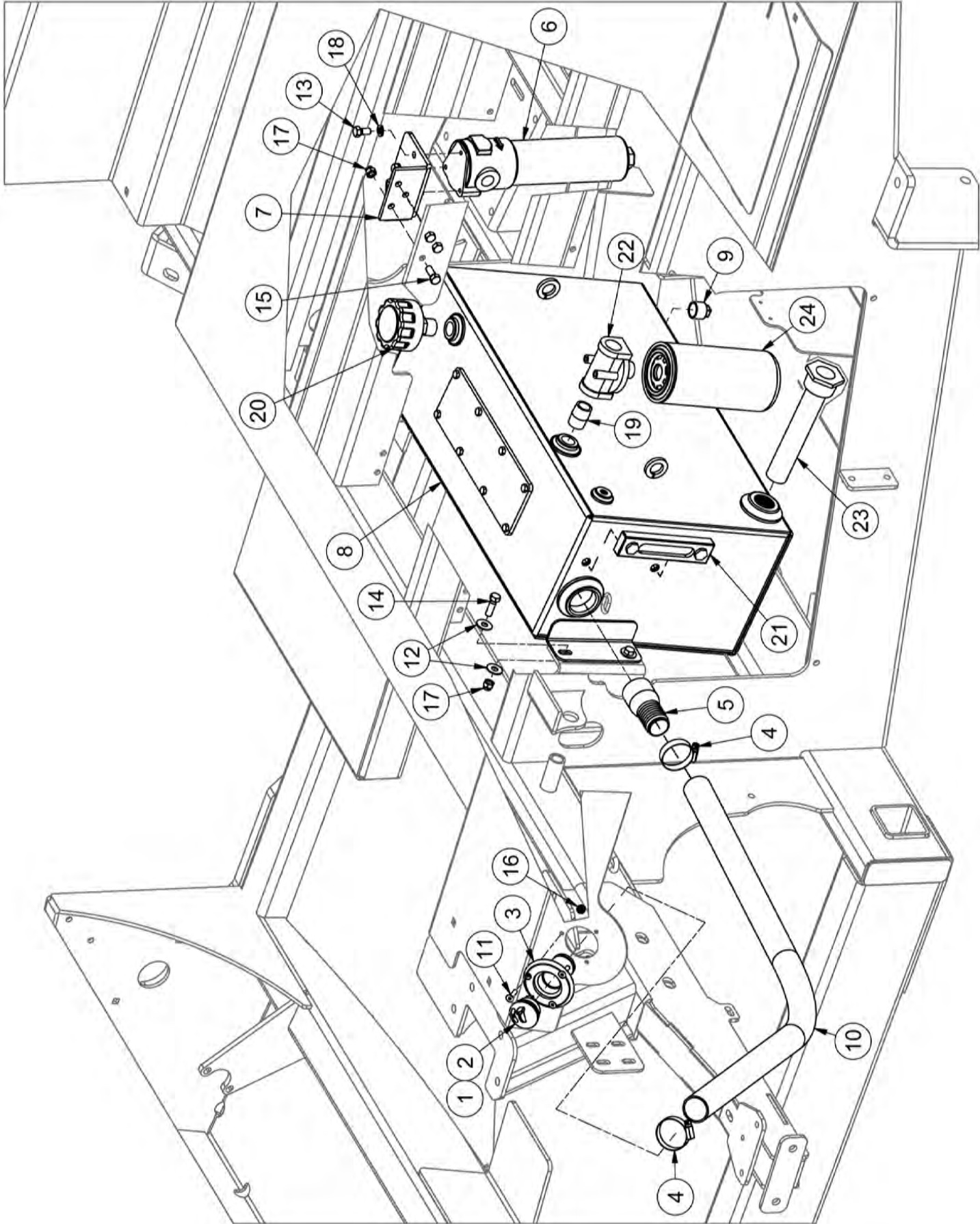


20hp Throttle Linkage

ITEM	QTY	PART NUMBER	DESCRIPTION	NOTE
1	1	47329	20HP Throttle Linkage Assembly	All Items
2	1	44643	20HP Swing Link	
3	1	44644	20HP Rod	
4	1	44645	20HP Engine Throttle Base	
5	1	47295	Rod Link	
6	1	47296	Throttle Arm Trip Plate	
7	1	47297	Throttle Arm Pivot Bracket	
8	1	47300	Throttle Arm	
9	1	FW 1/2	Flatwasher - 1/2" Zinc Plated USS	
10	3	FW 1/4	Flatwasher - 1/4" Zinc Plated USS	
11	3	HB 1/4-20X0.75 Z5	Hex Bolt 1/4-20x3/4 Grade 5 Zinc Plated Hex Cap Screw	
12	2	HB 1/4-20X1.25 Z5	Hex Bolt 1/4-20x1 1/4 Grade 5 Zinc Plated Hex Cap Screw	
13	1	HB 3/8-16X2.5 Z5	Hex Bolt 3/8-16x2 1/2 Grade 5 Zinc Plated Hex Cap Screw	
14	2	HB 3/8-16X3.25 Z5	Hex Bolt 3/8-16x3 1/4 Grade 5 Zinc Plated Hex Cap Screw	
15	2	HB 5/16-18X0.5 Z5	Hex Bolt 5/16-18x1/2 Grade 5 Zinc Plated Hex Cap Screw	
16	1	LN 1/2 N	LN 1/2-13 Zinc Plated Nylon Insert Lock Nut	
17	2	LN 1/4 N	LN 1/4-20 Zinc Plated Nylon Insert Lock Nut	
18	2	LN 3/8 N	LN 3/8-16 Zinc Plated Nylon Insert Lock Nut	
19	4	LW 1/4	LW - 1/4" Zinc Plated Medium Split	
20	1	TL550-100-065	Ball Joint	
21	3	TL550-100-067	Linkage Pivot	
22	2	TL550-100-069	Throttle Spring	
23	1	TL5X2-100-231	Control Rod	
24	1	TL5X2-100-232	Striker Block	

Section 3: Hydraulics

Hydraulic Oil Tank

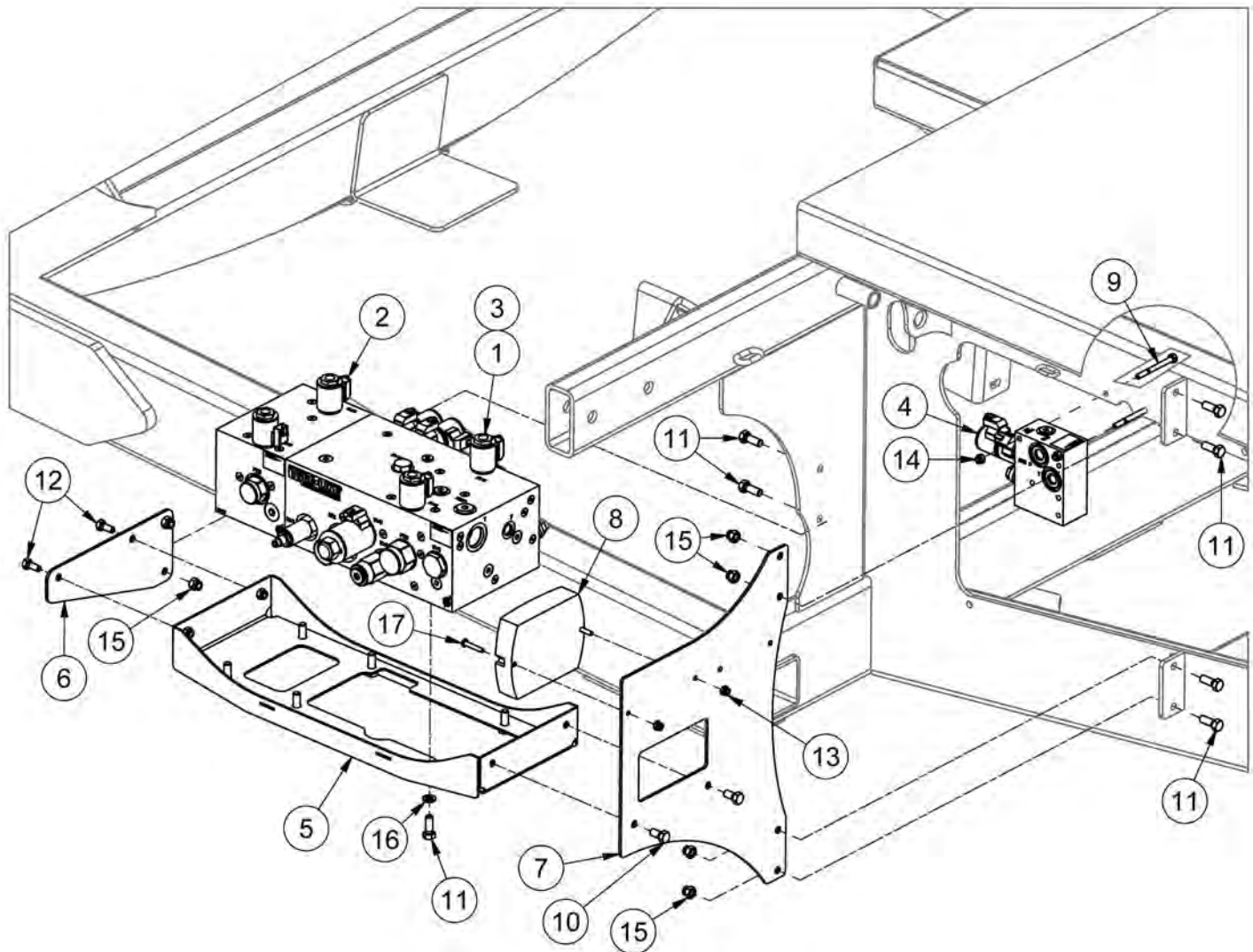


Hydraulic Oil Tank

ITEM	QTY	PART NUMBER	DESCRIPTION	NOTE
1	1	30870	Hydraulic Oil Fill Assembly	Inc. Items 2 & 3
2	1	30868	Hydraulic Oil Fill Cap	
3	1	30869	Hydraulic Oil Fill Body	
4	2	30884	Gear Clamp #24 1" to 2"	
5	1	30894	1.5 NPT X 1.5 BARB	
6	1	41878	High Pressure ECV Oil Filter	
7	1	41897	High Pressure Filter Bracket	
8	1	44345	Hydraulic Oil Tank	
9	1	TL500-100-174	Plug, Magnetic 3/4"	
10	1	46948	TL70 Oil Fill Tube	
11	3	FHSCS1/4-28X1	Hex Bolt - 1/4"-28 x 1" Flat Socket Cap Screw	
12	8	FW 3/8	Flatwasher - 3/8" Zinc Plated USS	
13	3	HB3/8-16X0.75Z5	Hex Bolt 3/8-16x3/4 Grade 5 Zinc Plated Hex Cap Screw	
14	4	HB3/8-16X1.25Z5	Hex Bolt 3/8-16x1 1/4 Grade 5 Zinc Plated Hex Cap Screw	
15	3	HB3/8-16X1Z5	Hex Bolt 3/8-16x1 Grade 5 Zinc Plated Hex Cap Screw	
16	3	LN1/4-28KFZ	1/4"-28 Zinc w/ Ext Tooth Lckwshr K-Lock Nut	
17	7	LN3/8-16NCZ5	LN 3/8-16 Zinc Plated Nylon Insert Lock Nut	
18	3	LW 3/8	LW - 3/8" Zinc Plated Medium Split	
19	1	PI 3/4 CLOSE NIPPLE	Close Nipple SCH 80 3/4	
20	1	TL500-100-169	Breather Cap	
21	1	TL500-100-171	Sight Gauge	
22	1	TL500-100-172	Filter Base	
23	1	TL500-100-175	Suction Filter/Strainer	
24	1	VAL HEK44-20.180	ECV Hydraulic Filter	

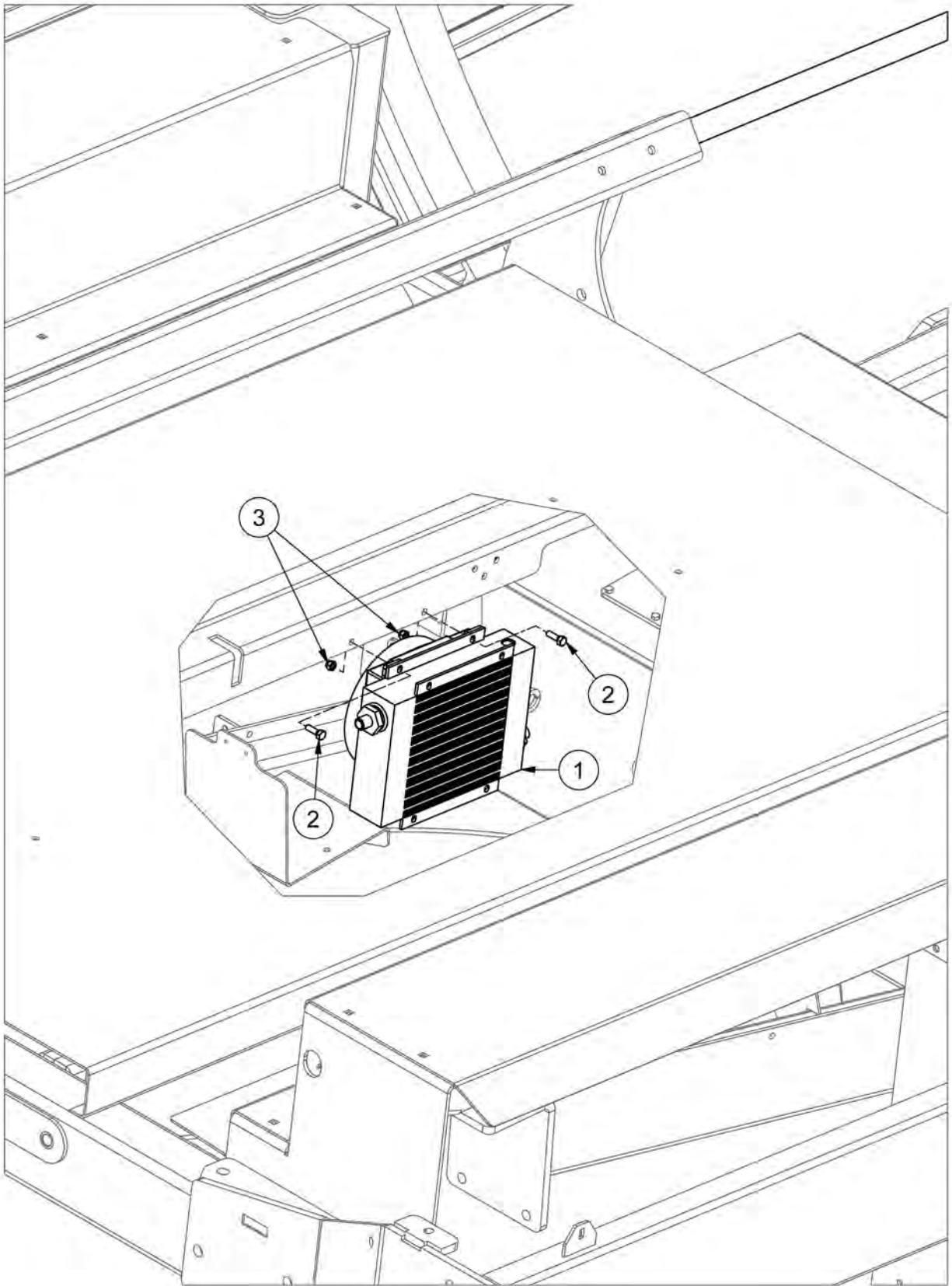
Oil in Unit: AW32 SAE10 Hydraulic Oil

Hydraulic Manifold Mount



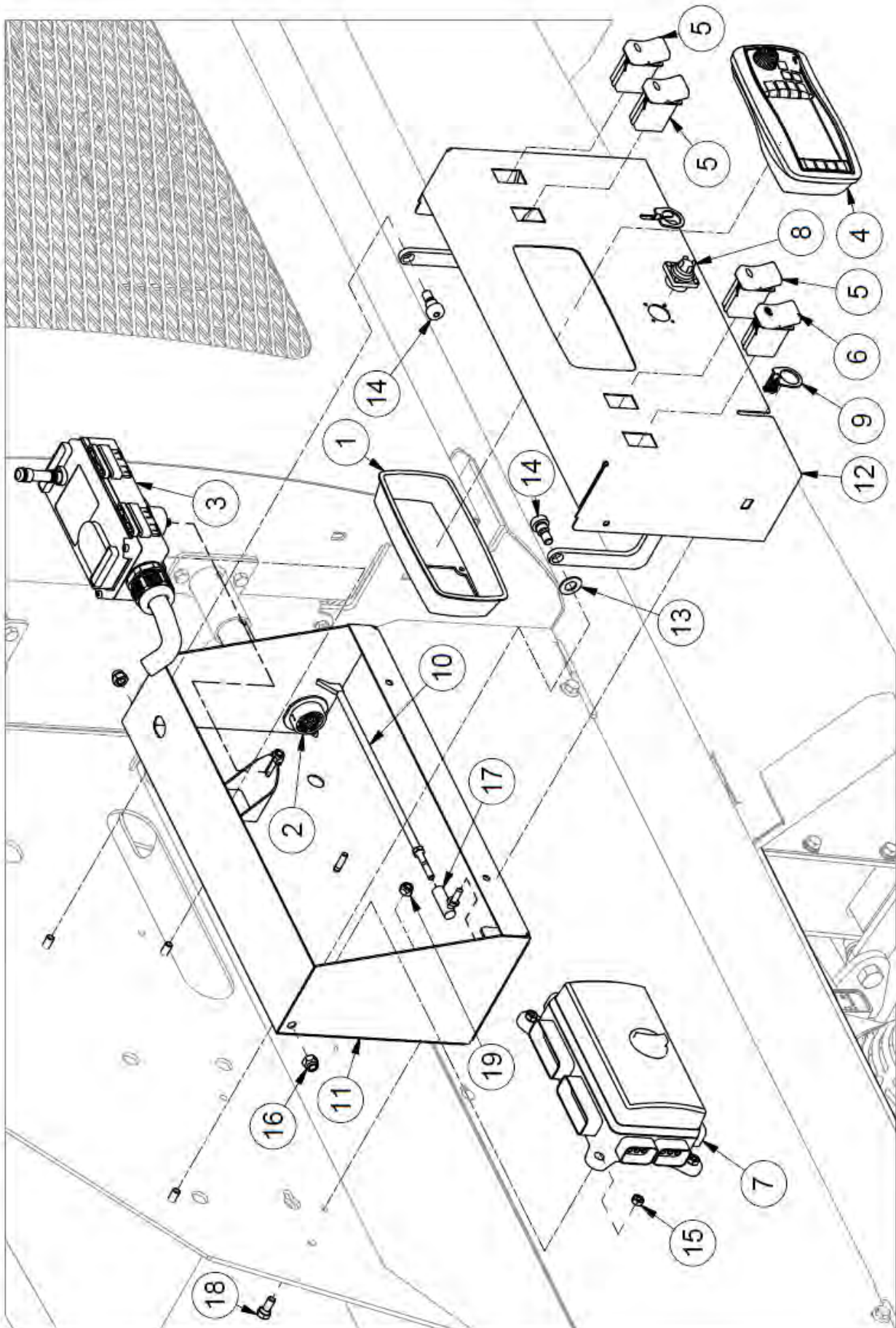
ITEM	QTY	PART NUMBER	DESCRIPTION	NOTE
1	1	30298	ECV Bale Wrapper Main Manifold Block	
2	1	30299	ECV Bale Wrapper Powerdrive Manifold Block	Req. Powerdrive Option
3	1	SK1031DBSK	Seal Kit - Main ECV Manifold	
4	1	32653	ECV Brake Manifold	
5	1	44714	ECV Valve Mount	
6	1	47304	ECV Manifold Mount Plate	
7	1	47305	ECV Front Manifold Mount	
8	1	ECU 2415	Valve Controller	
9	2	HB1/4-20X2.75Z5	Hex Bolt 1/4-20x2 3/4 Grade 5 Zinc Plated Hex Cap Screw	
10	5	HB3/8-16X0.75Z5	Hex Bolt 3/8-16x3/4 Grade 5 Zinc Plated Hex Cap Screw	
11	15	HB3/8-16X1Z5	Hex Bolt 3/8-16x1 Grade 5 Zinc Plated Hex Cap Screw	
12	2	HB5/16-18X0.75Z5	Hex Bolt 5/16-18x3/4 Grade 5 Zinc Plated Hex Cap Screw	
13	2	LN#12-24NCZ5	LN 3/16-24 Zinc Plated Nylon Insert Lock Nut	
14	2	LN1/4-20NCZ5	LN 1/4-20 Zinc Plated Nylon Insert Lock Nut	
15	9	LN3/8-16NCZ5	LN 3/8-16 Zinc Plated Nylon Insert Lock Nut	
16	6	LW 3/8	LW - 3/8" Zinc Plated Medium Split	
17	2	MS #12X24X1.25	Machine Screw - (Inch)	

Hydraulic Oil Cooler



ITEM	QTY	PART NUMBER	DESCRIPTION
1	1	47494	Hydraulic Cooler
2	2	HB5/16-18X1Z5	Hex Bolt 5/16-18x1 Grade 5 Zinc Plated Hex Cap Screw
3	2	LN5/16-18NCZ5	LN 5/16-18 Zinc Plated Nylon Insert Lock Nut

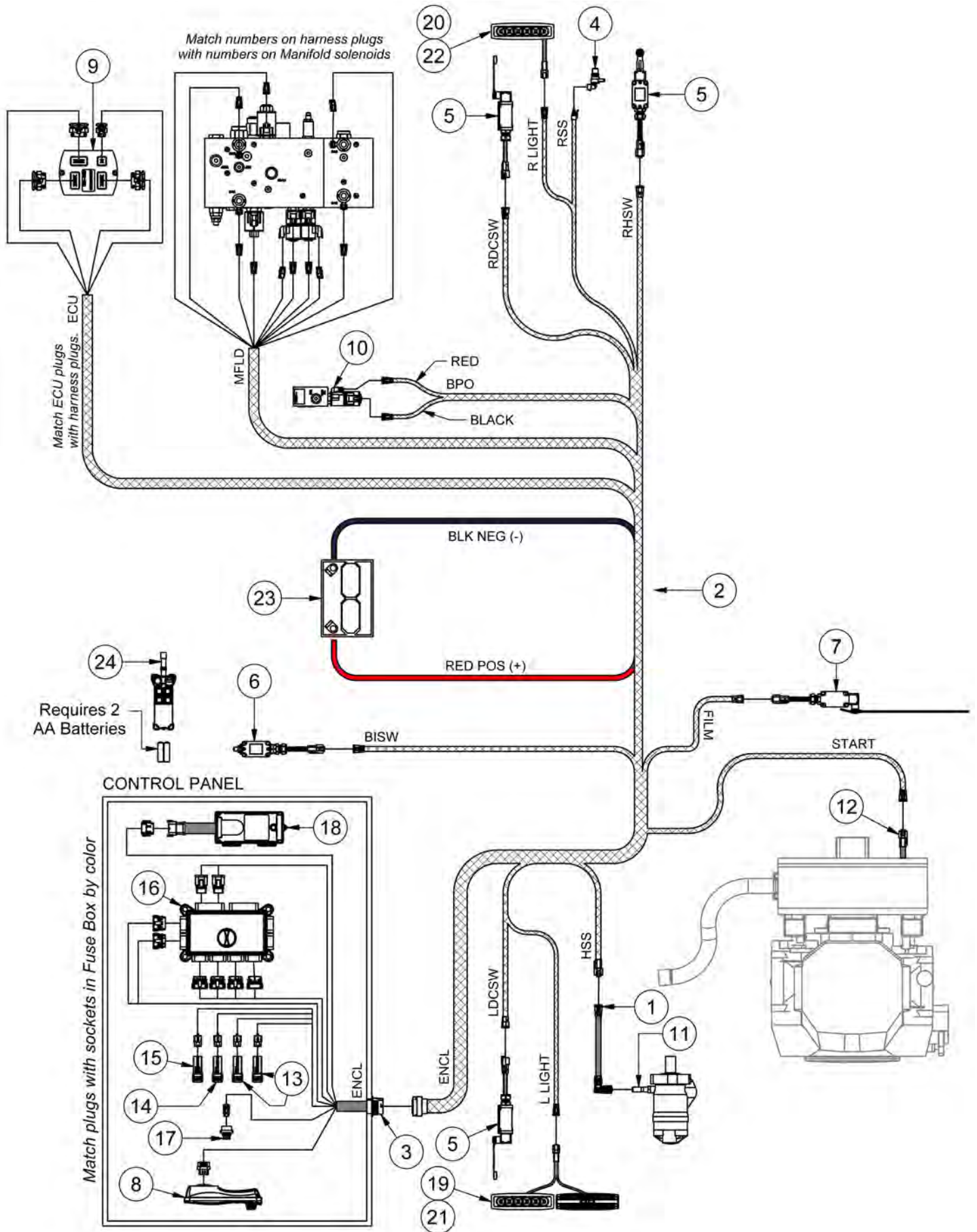
Section 4: Electrical Control Panel



Control Panel

ITEM	QTY	PART NUMBER	DESCRIPTION
1	1	32630	Display Mount
2	1	32642	Control Panel Harness
3	1	32648	Remote Antenna
4	1	32652	Display Screen
5	3	33322	Function Switch
6	1	33323	E-Stop Switch
7	1	33324	Fuse Box
8	1	33325	Steering Joystick
9	2	36268	Camlock
10	1	43415	Lid Holder
11	1	43417	Control Panel Box
12	1	43489	Control Panel Lid
13	1	FW 1/2	Flatwasher - 1/2" Zinc Plated USS
14	2	HB 1/2X3/8 SS	Socket Head Shoulder Screws - 1/2 Shldr x 3/8 x 3/8-16
15	4	HN 1/4	Hex Nut 1/4"-20 Grade 5 Zinc Plated Finished
16	2	LN 3/8 N	LN 3/8-16 Zinc Plated Nylon Insert Lock Nut
17	1	TL550-100-065	Ball Joint
18	4	HB 5/16-18X0.75 Z5	Hex Bolt 5/16-18x3/4 Grade 5 Zinc Plated Hex Cap Screw
19	4	LN 5/16 N	LN 5/16-18 Zinc Plated Nylon Insert Lock Nut

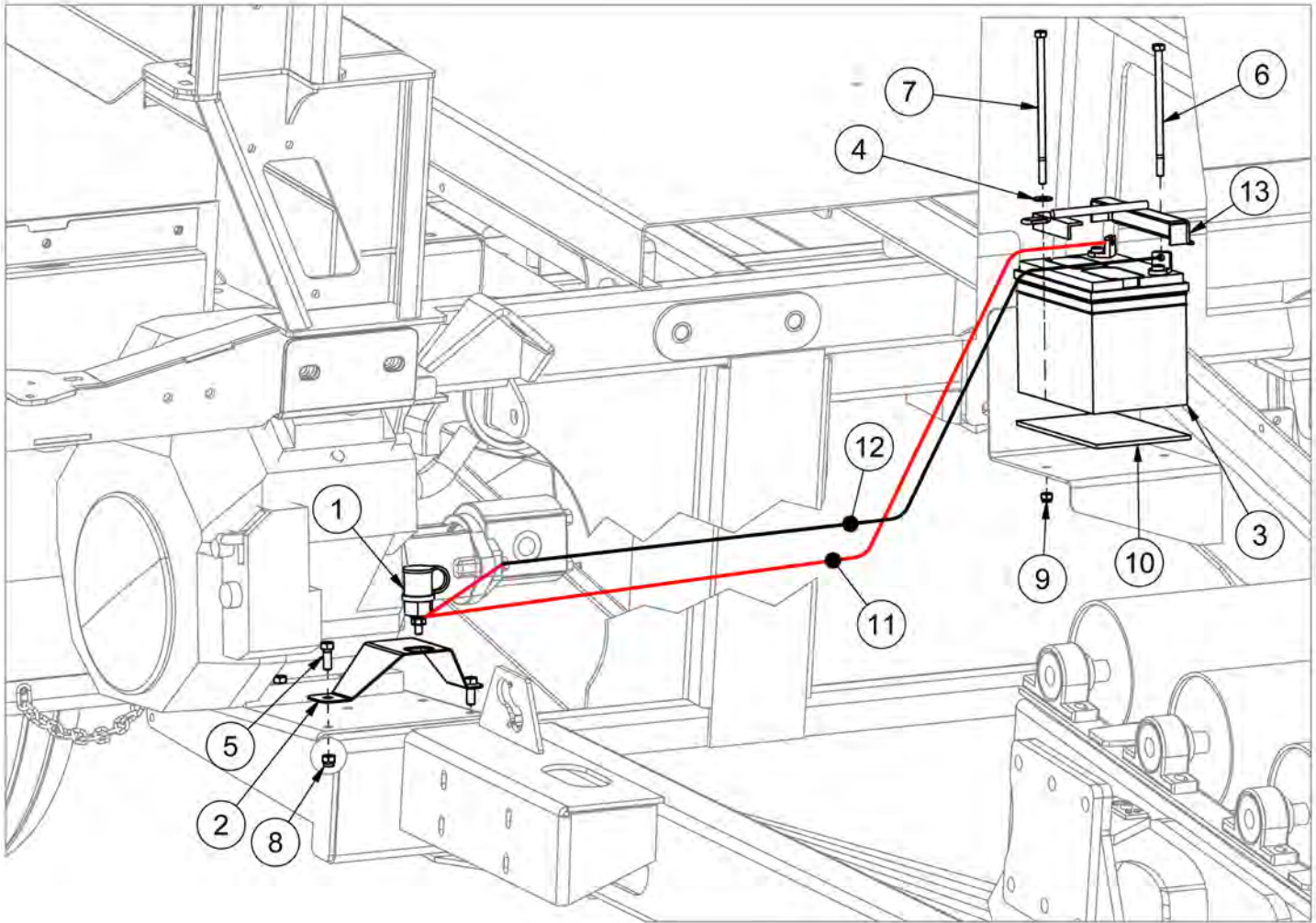
Main Electrical Harness



Main Electrical Harness

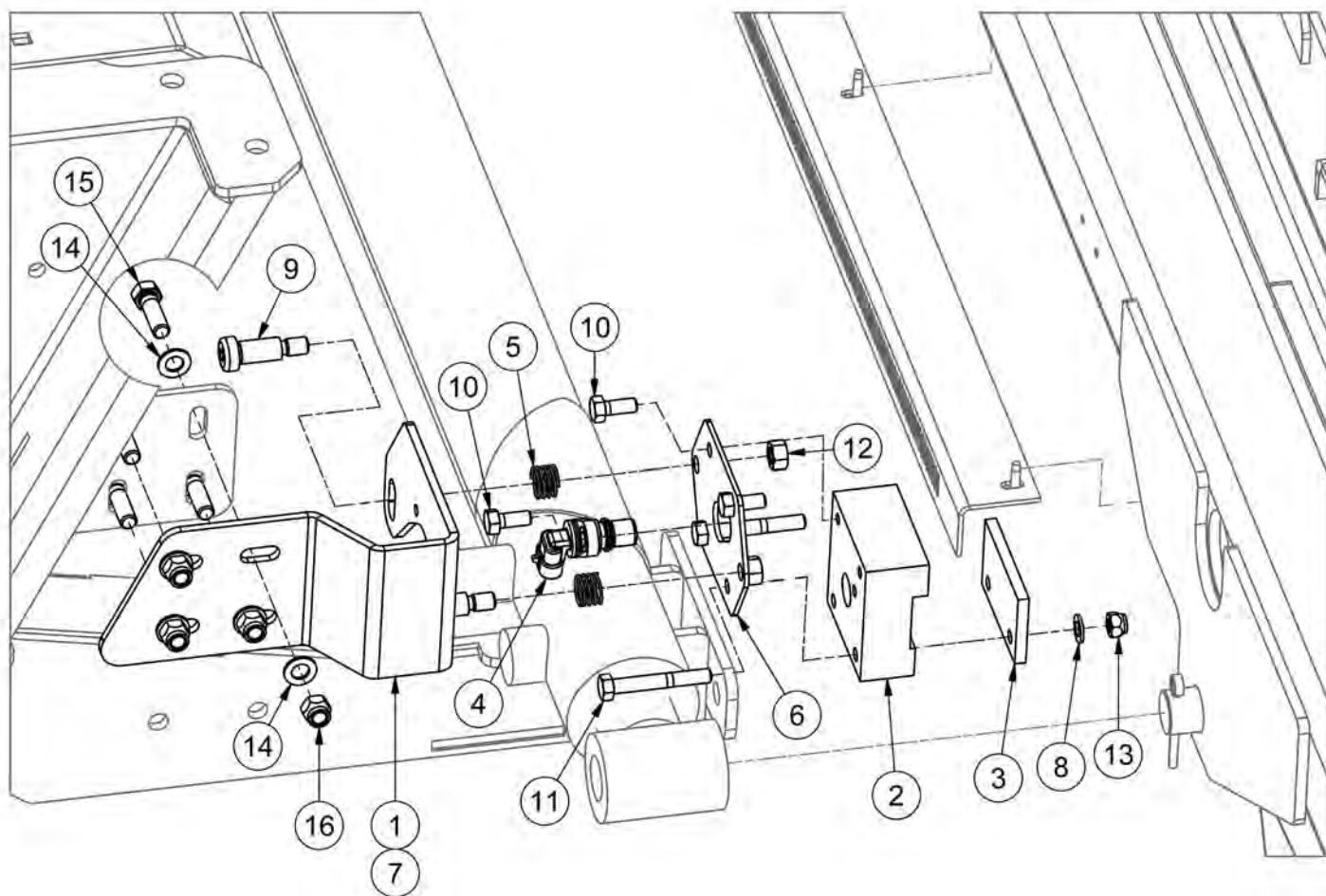
ITEM	QTY	PART NUMBER	DESCRIPTION	NOTE
1	1	32607	ECV Wrapper and Liner, M12 to Duetch Jumper	
2	1	32625	ECV Wrapper, Main Wiring Harness	
3	1	32626	ECV Wrapper, Panel Harness	
4	1	32632	ECV Wrapper and Liner, Speed Sensor	
5	3	32633	ECV Wrapper, Left and Right Door Switch, Ram Home Switch	
6	1	32634	ECV Wrapper, Bale Trigger Switch	
7	1	32635	ECV Wrapper, Film Sensor Switch	
8	1	32647	ECV Controller - 2415 Programmed for ECV Wrapper	
9	1	32652	ECV, ECU Programmed for Balewrapper (Current Rev)	
10	1	32653	ECV Brake Manifold	
11	1	32665	ECV Hoop Speed Sensor	
12	1	32667	Wiring Engine Harness for 20 HP Honda - ECV Wrapper	
13	2	33322	Light Function Switch & Remote Engine By-pass	
14	1	33322-L	Function Switch with Light ON-OFF	
15	1	33323	Function Switch for E-Stop	
16	1	33324	Fuse Box for ECV Wrapper Control Box	
17	1	33325	Steering Joystick for ECV	
18	1	36968	Receiver Board for ECV Wrappers - With 8 Pin Deutch Connector	
19	1	43617	TLNWLKLED-ECV Twin Harness	
20	1	43618	TLNWLKLED-ECV Single Harness	
21	1	43619	TLNWLK-ECV Twin Harness	
22	3	43620	TLNWLK-ECV Single Harness	
23	1	45924	SP-40 Battery	
24	1	TLHHCX2HD	Hand Held Remote (Orange)	

Battery



ITEM	QTY	PART NUMBER	DESCRIPTION
1	1	30873	Insulated Jumper Terminal
2	1	31383	Insulated Jumper Mount
3	1	45924	SP-40 Battery
4	1	FW 5/16	Flatwasher - 5/16" Zinc Plated USS
5	2	HB3/8-16X1Z5	Hex Bolt 3/8-16x1 Grade 5 Zinc Plated Hex Cap Screw
6	1	HB5/16-18X6Z5	Hex Bolt 5/16-18x6 Grade 5 Zinc Plated Hex Cap Screw
7	1	HB5/16-18X7Z5	Hex Bolt 5/16-18x7 Grade 5 Zinc Plated Hex Cap Screw
8	2	LN3/8-16NCZ5	LN 3/8-16 Zinc Plated Nylon Insert Lock Nut
9	2	LN5/16-18NCZ5	LN 5/16-18 Zinc Plated Nylon Insert Lock Nut
10	1	TL5X2-007-101	Rubber Battery Pad
11	1	TL5X2-500-159	Red Battery Cable
12	1	TL5X2-500-160	Black Battery Cable
13	1	TL500-301-221	Battery Hold-Down

Ram Speed Sensor



ITEM	QTY	PART NUMBER	DESCRIPTION	NOTE
1	1	47331	ECV Encoder Bracket Asm	All Items
2	1	31712	Sensor Guide Block	
3	1	31713	Sensor Guide Strip	
4	1	32632	ECV Speed Sensor	
5	2	36034	Ram Speed Sensor Spring	
6	1	44725	Speed Sensor Spacer	
7	1	47307	ECV Encoder Mount	
8	2	FW 5/16	Flatwasher - 5/16" Zinc Plated USS	
9	2	HB 1/2X1 SS	Socket Head Shoulder Screws - 1/2 Shldr x 1 x 3/8-16	
10	3	HB 5/16-18X0.75 Z5	Hex Bolt 5/16-18x3/4 Grade 5 Zinc Plated Hex Cap Screw	
11	2	HB 5/16-18X2.25 Z5	Hex Bolt 5/16-18x2 1/4 Grade 5 Zinc Plated Hex Cap Screw	
12	2	HN3/8-16CZ5	Hex Nut 3/8"-16 Grade 5 Zinc Plated Finished	
13	2	LN 5/16 N	LN 5/16-18 Zinc Plated Nylon Insert Lock Nut	
14	8	FW 3/8	Flatwasher - 3/8" Zinc Plated USS	
15	4	HB3/8-16X1.25Z5	Hex Bolt 3/8-16x1 1/4 Grade 5 Zinc Plated Hex Cap Screw	
16	4	LN3/8-16NCZ5	LN 3/8-16 Zinc Plated Nylon Insert Lock Nut	

Section 5: Options

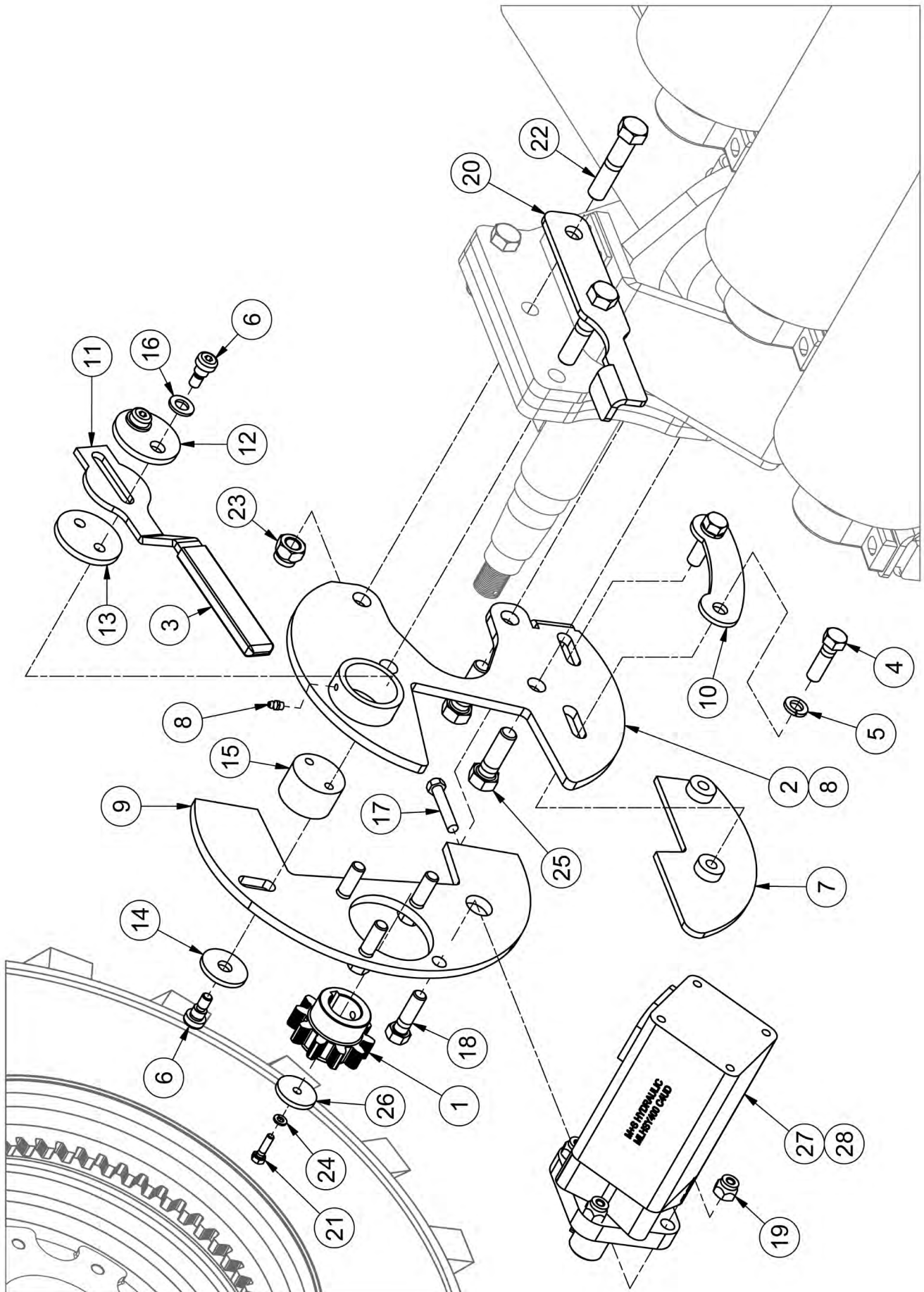
TLHPDD70 - Dual Power Drive

Not available at time of production.

TLHPDD70 - Dual Power Drive

Not available at time of production.

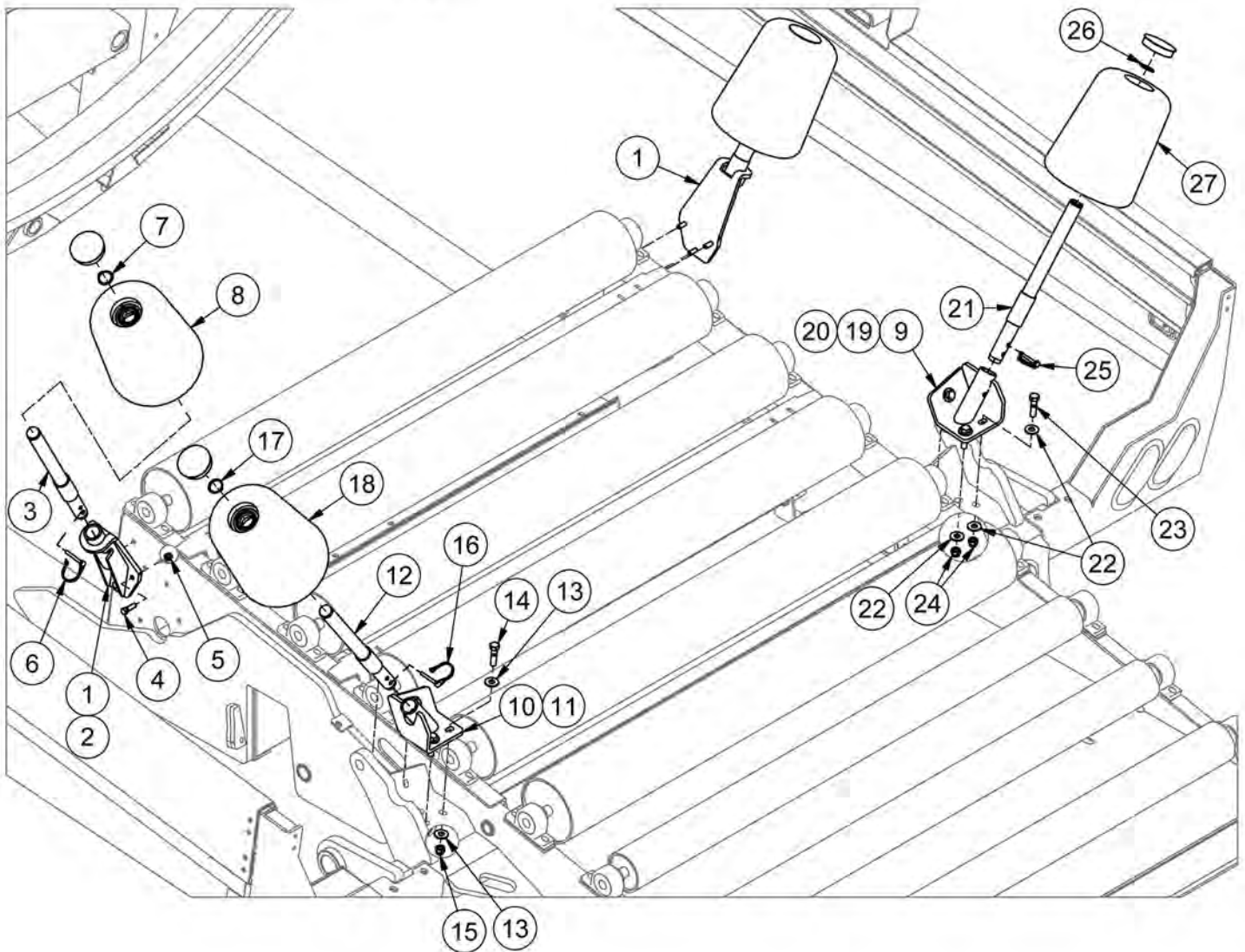
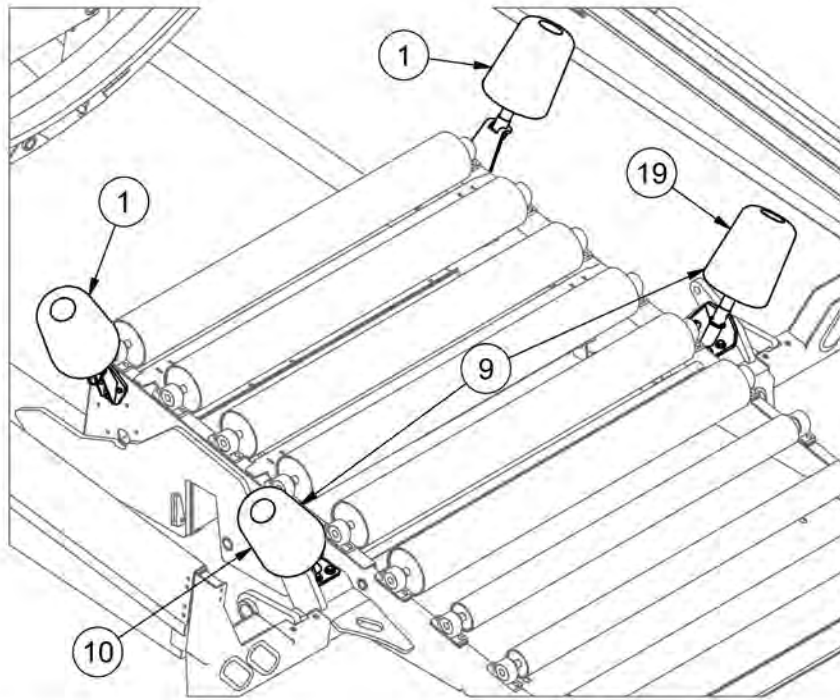
Dual Power Drive Bracket



Dual Power Drive Bracket

ITEM	QTY	PART NUMBER	DESCRIPTION	NOTE
1	1	28942	Powerdrive Sprocket	
2	1	28949	Right Powerdrive Assembly	Items 3-19
3	1	22707	Rubber Handle for 3/8 X 1 Flat Bar	
4	2	HB 1/2-13X1.75 Z5	Hex Bolt 1/2-13x1 3/4 Grade 5 Zinc Plated Hex Cap Screw	
5	2	LW 1/2	LW - 1/2" Zinc Plated Medium Split	
6	2	SHSS1/2X3/8X3/8-16Z	Socket Head Shoulder Screws - 1/2 Shldr x 3/8 x 3/8-16	
7	1	TLWHEEL30LEFT	Left Powerdrive Part	
8	1	TLWHEEL3109	Right Powerdrive HD Bracket	
9	1	WHEEL1108	Powerdrive Motor Mount	
10	1	WHEEL14	Powerdrive Part	
11	1	WHEEL2011	Powerdrive Handle	
12	1	WHEEL2012	Outside Handle Washer	
13	1	WHEEL20121	Inside Handle Washer	
14	1	WHEEL2013	Inside Cam Washer	
15	1	WHEEL9	Eccentric	
16	2	FWSAE 1/2	Flatwasher - 1/2" Zinc Plated SAE	
17	1	HB3/8-16X2.0TCZ5	3/8"-16 x 2" SAE J429 Grade 5 Zinc Finish Steel Tap Bolt	
18	4	HB1/2-13X1.75Z5	Hex Bolt 1/2-13x1 3/4 Grade 5 Zinc Plated Hex Cap Screw	
19	4	LN1/2-13NCZ5	LN 1/2-13 Zinc Plated Nylon Insert Lock Nut	
20	1	47485	Right Side Handle Stop	
21	1	HB1/4-20X1Z5	Hex Bolt 1/4-20x1 Grade 5 Zinc Plated Hex Cap Screw	
22	2	HB5/8-11X3Z5	Hex Bolt 5/8-11x3 Grade 5 Zinc Plated Hex Cap Screw	
23	5	LN5/8-11NCZ5	LN 5/8-11 Zinc Plated Nylon Insert Lock Nut	
24	1	LW 1/4	LW - 1/4" Zinc Plated Medium Split	
25	2	HB5/8-11X2Z5	Hex Bolt 5/8-11x2 Grade 5 Zinc Plated Hex Cap Screw	
26	1	TL552404	Hoop Motor Plate	
27	1	VAL MLHSY400	Complete Motor - MLHSY400C4UD	
28	1	SKMLHSY-U/D	Motor Seal Kit	

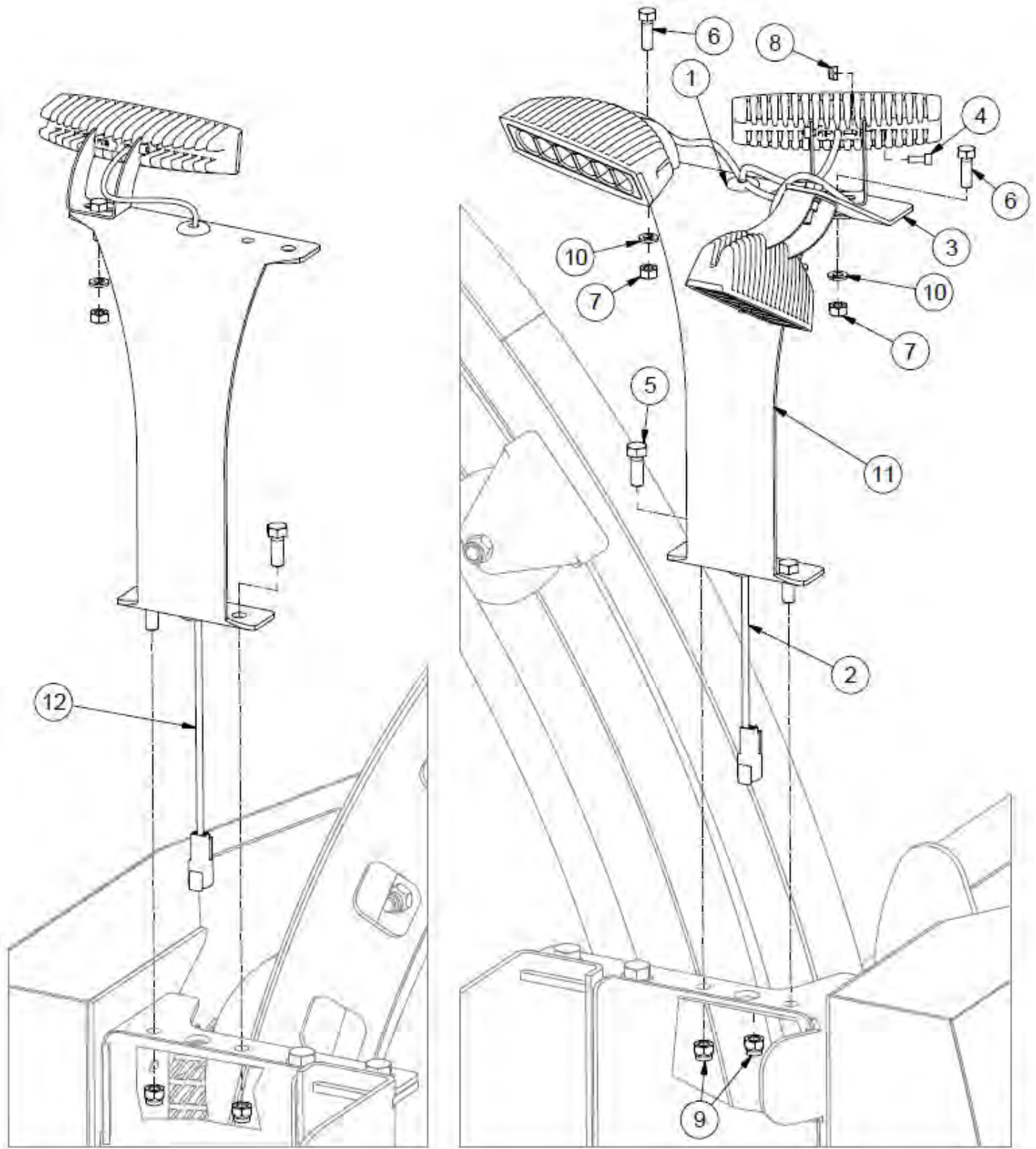
TLGR70 - Optional Guide Rollers



TLGR70 - Optional Guide Rollers

ITEM	QTY	PART NUMBER	DESCRIPTION	NOTE
1	2	TLGR70F	TL70 Front Guide Roller Kit	Incl. Items 2-7
2	1	47285	Front Guide Roller Pocket	
3	1	47294	Guide Roller Shaft	
4	3	HB3/8-16X1.25Z5	Hex Bolt 3/8-16x1 1/4 Grade 5 Zinc Plated Hex Cap Screw	
5	3	LN3/8-16NCZ5	LN 3/8-16 Zinc Plated Nylon Insert Lock Nut	
6	1	LP B1995	Pin - Lock Pin 1/4 X 1 3/4	
7	1	RR 1.25	Retaining Ring-1 1/4- External	
8	1	TL550-301-238	Roller c/w Bearings & End Cap	
9	1	TLGR70R	TL70 Rear Guide Roller Kit	Incl. Items 10&19
10	1	TLGR70RL	TL70 Left Rear Guide Roller Kit	Incl. Items 11-18
11	1	47289	Rear Left Guide Roller Pocket	
12	1	47294	Guide Roller Shaft	
13	6	FW 1/2	Flatwasher - 1/2" Zinc Plated USS	
14	3	HB1/2-13X2Z5	Hex Bolt 1/2-13x2 Grade 5 Zinc Plated Hex Cap Screw	
15	3	LN1/2-13NCZ5	LN 1/2-13 Zinc Plated Nylon Insert Lock Nut	
16	1	LP B1995	Pin - Lock Pin 1/4 X 1 3/4	
17	1	RR 1.25	Retaining Ring-1 1/4- External	
18	1	TL550-301-238	Roller c/w Bearings & End Cap	
19	1	TLGR70RR	TL70 Right Rear Guide Roller Kit	Incl. Items 20-27
20	1	47292	Rear Right Guide Roller Pocket	
21	1	47294	Guide Roller Shaft	
22	6	FW 1/2	Flatwasher - 1/2" Zinc Plated USS	
23	3	HB1/2-13X2Z5	Hex Bolt 1/2-13x2 Grade 5 Zinc Plated Hex Cap Screw	
24	3	LN1/2-13NCZ5	LN 1/2-13 Zinc Plated Nylon Insert Lock Nut	
25	1	LP B1995	Pin - Lock Pin 1/4 X 1 3/4	
26	1	RR 1.25	Retaining Ring-1 1/4- External	
27	1	TL550-301-238	Roller c/w Bearings & End Cap	

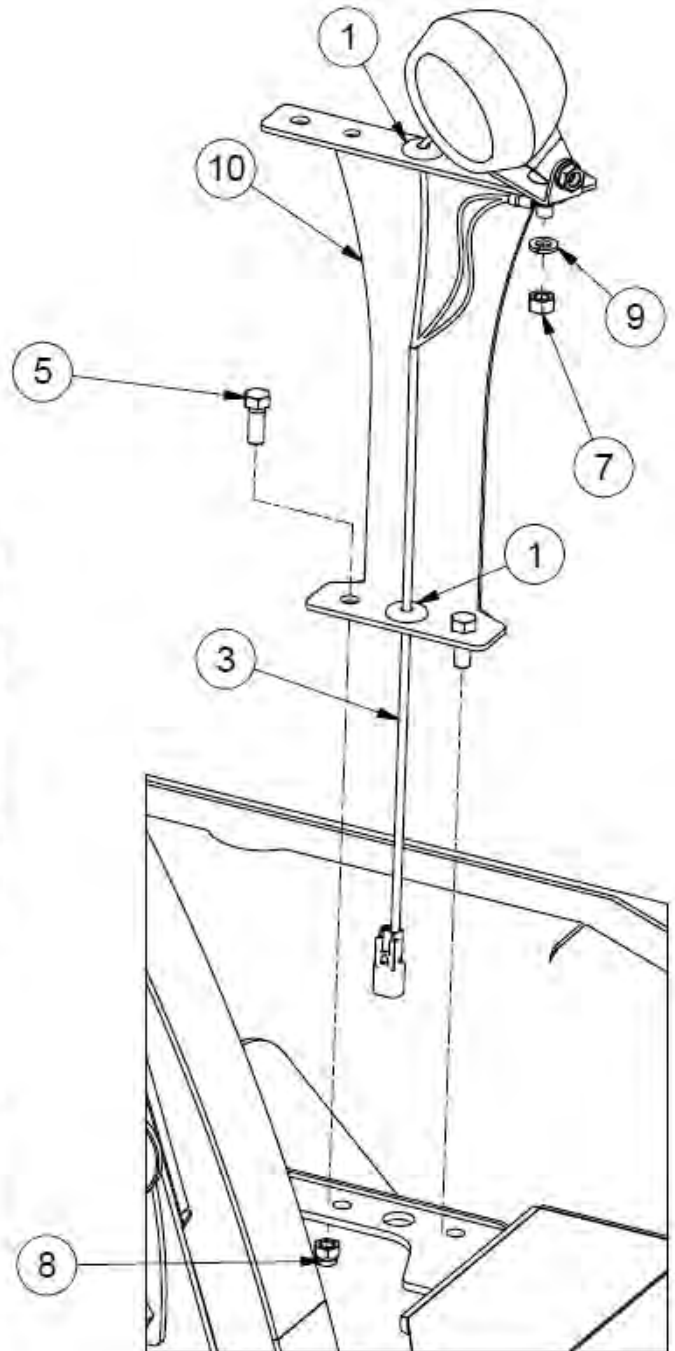
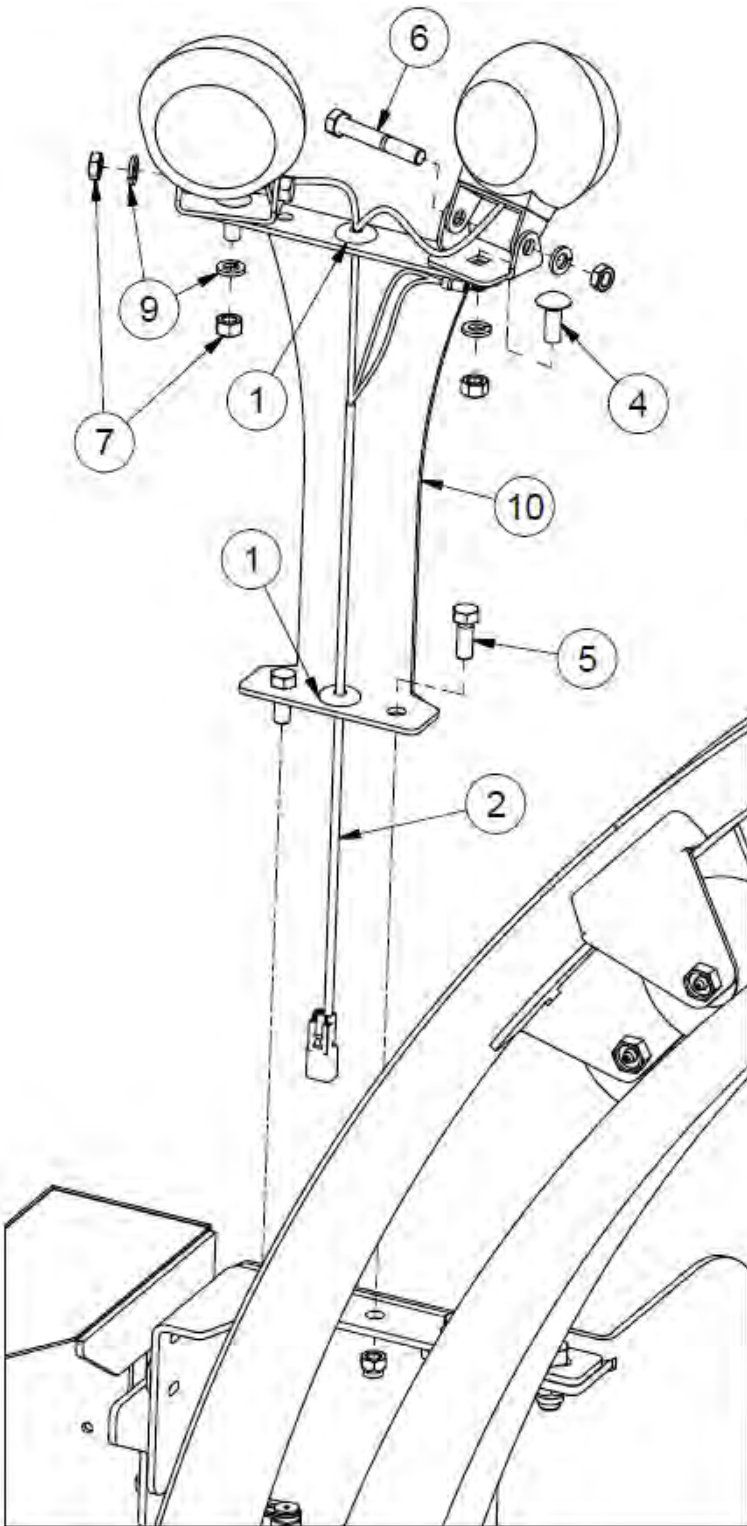
TLNWLKLED-ECV - LED Night Light Kit



TLNWLKLED-ECV - LED Night Light Kit

ITEM	QTY	PART NUMBER	DESCRIPTION
1	4	30862	Grommet for Night Lights
2	1	43952	TLNWLKLED-ECV Triple Wiring Harness
3	1	44864	Control Panel Light Bracket
4	8	HB #10-32X.5 SHCS	Hex Bolt - 3/16-32 x 1/2 Socket Head Cap Screw
5	4	HB 3/8-16X1 Z5	Hex Bolt 3/8-16x1 Grade 5 Zinc Plated Hex Cap Screw
6	4	HB 5/16-18X1 Z5	Hex Bolt 5/16-18x1 Grade 5 Zinc Plated Hex Cap Screw
7	4	HN 5/16	Hex Nut 5/16"-18 Grade 5 Zinc Plated Finished
8	8	LN #10 F	Center Locknuts (3/16-32) 2-Way Fine Thread
9	4	LN 3/8 N	LN 3/8-16 Zinc Plated Nylon Insert Lock Nut
10	4	LW 5/16	LW - 5/16" Zinc Plated Medium Split
11	2	TL5X2-100-201	Light Bracket
12	1	43953	TLNWLKLED-ECV Single Harness

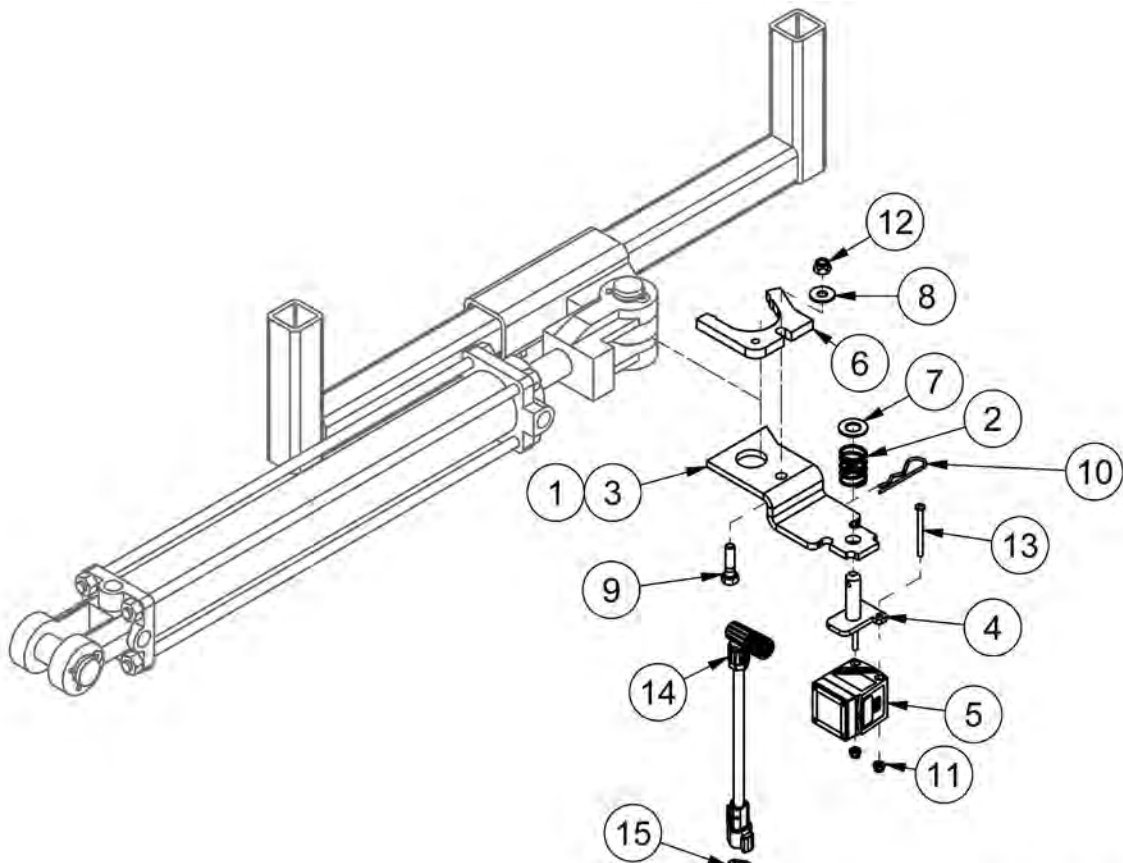
TLNWLK-ECV - Halogen Night Light Kit



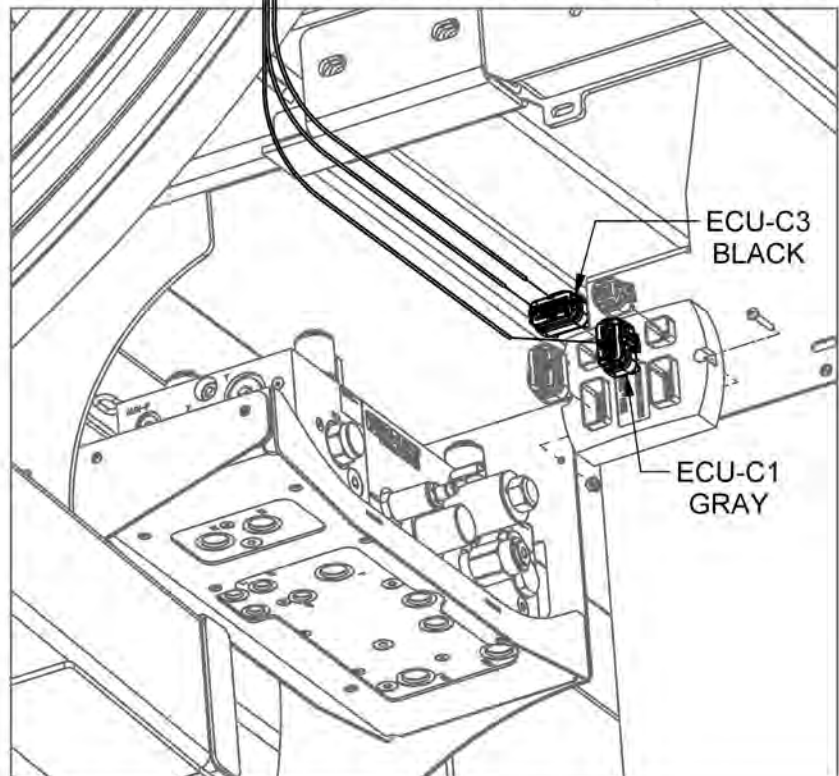
TLNWLK-ECV - Halogen Night Light Kit

ITEM	QTY	PART NUMBER	DESCRIPTION	NOTE
1	4	30862	Grommet for Night Lights	
2	1	43619	TLNWLK-ECV Twin Harness	Inc. Lights
3	1	43620	TLNWLK-ECV Single Harness	Inc. Light
4	3	CB 3/8-16 X1 Z5	Carriage Bolt - 3/8-16 x 1" Grade 5 Zinc	
5	4	HB 3/8-16X1 Z5	Hex Bolt 3/8-16x1 Grade 5 Zinc Plated Hex Cap Screw	
6	3	HB 3/8-24X2.5 Z5	Hex Bolt 3/8-24x2 1/2 Grade 5 Zinc Plated Hex Cap Screw	
7	3	HN 3/8	Hex Nut 3/8"-16 Grade 5 Zinc Plated Finished	
8	4	LN 3/8 N	LN 3/8-16 Zinc Plated Nylon Insert Lock Nut	
9	6	LW 3/8	LW - 3/8" Zinc Plated Medium Split	
10	2	TL5X2-100-201	Light Bracket	

TLGSECV - Laser Guidance System



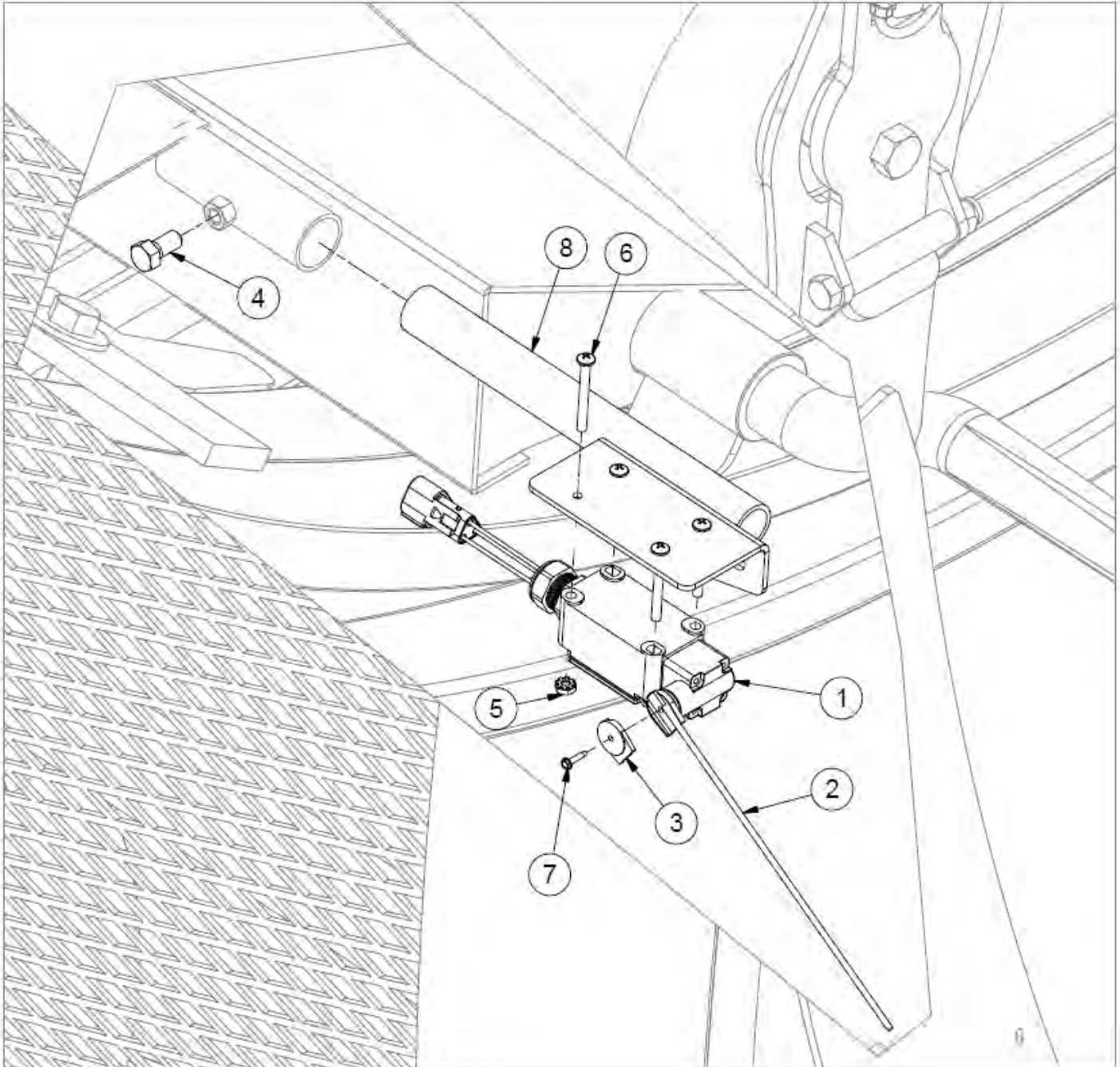
A: Brown Wire to ECU-C3 Black Plug Pin 9
B: White Wire to ECU-C3 Black Plug Pin 6
C: Blue Wire to ECU-C3 Grey Plug Pin 12



TLGSECV - Laser Guidance System

ITEM	QTY	PART NUMBER	DESCRIPTION
1	1	39373	Laser Guidance Assembly
2	1	27566	Compression Spring .97 OD X 2.0
3	1	39367	Laser Pin Bracket
4	1	39372	Pivot Bracket
5	1	39387	Laser Guidance Sensor
6	1	40846	Stiffener Plate
7	1	FW 1/2	Flatwasher - 1/2" Zinc Plated USS
8	1	FW 5/16	Flatwasher - 5/16" Zinc Plated USS
9	1	HB5/16-18X1.25Z5	Hex Bolt 5/16-18x1 1/4 Grade 5 Zinc Plated Hex Cap Screw
10	1	HP .125X1.5	Pin Hitch - .125 X 1.5
11	2	LN#8-32NCZ5	LN 8-32 Zinc Plated Nylon Insert Lock Nut
12	1	LN5/16-18NCZ5	LN 5/16-18 Zinc Plated Nylon Insert Lock Nut
13	2	MS #8X36X2	Machine Screw - (Inch)
14	1	43810	Wiring Harness Laser ECV- M12 to Deutsch 3 Pin
15	1	43811	ECV Laser Wiring - ECU to 3 Pin Deutsh

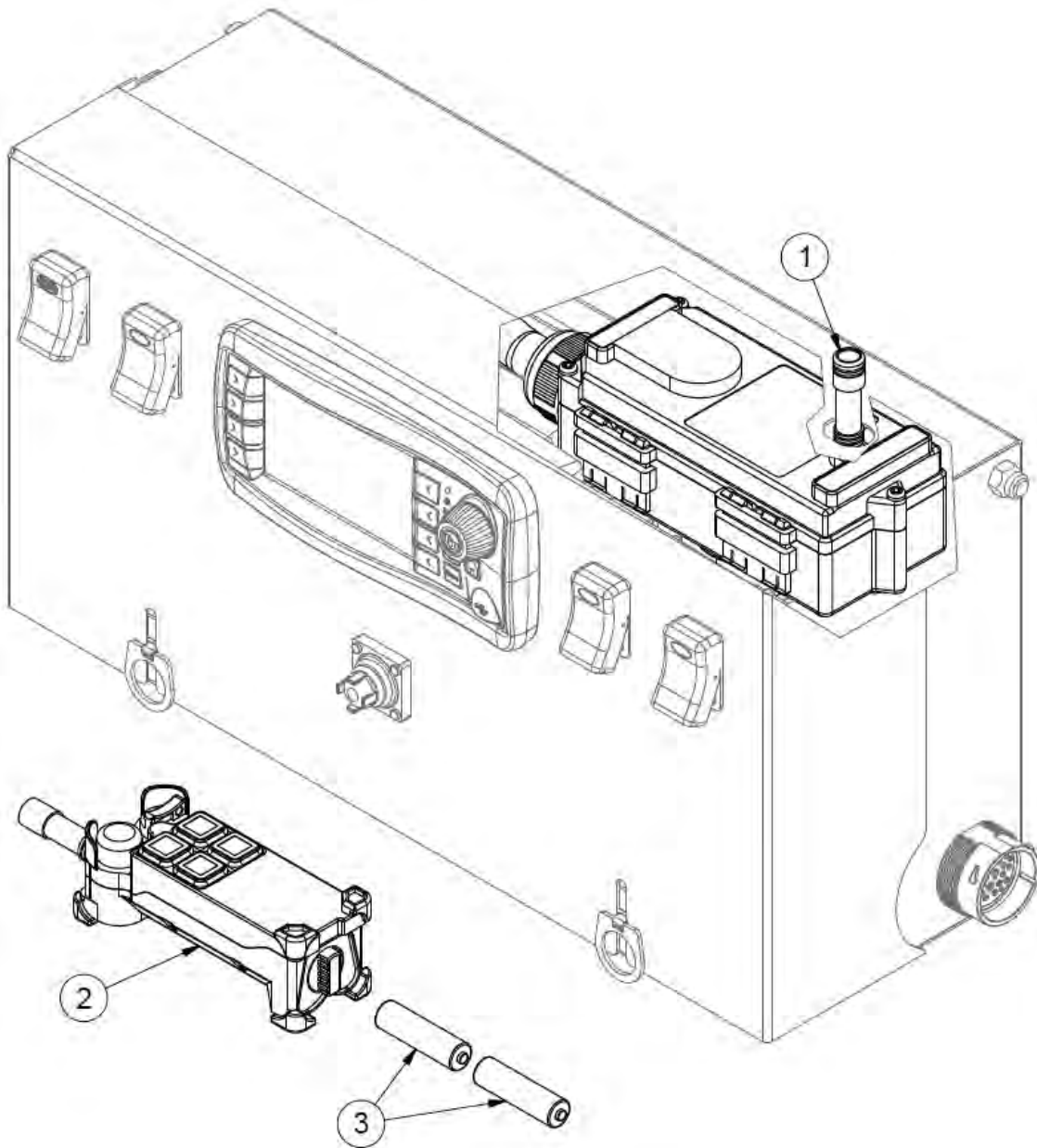
TLPSSK-ECV - Plastic Sensor Shutdown Kit



TLPSSK-ECV - Plastic Sensor Shutdown Kit

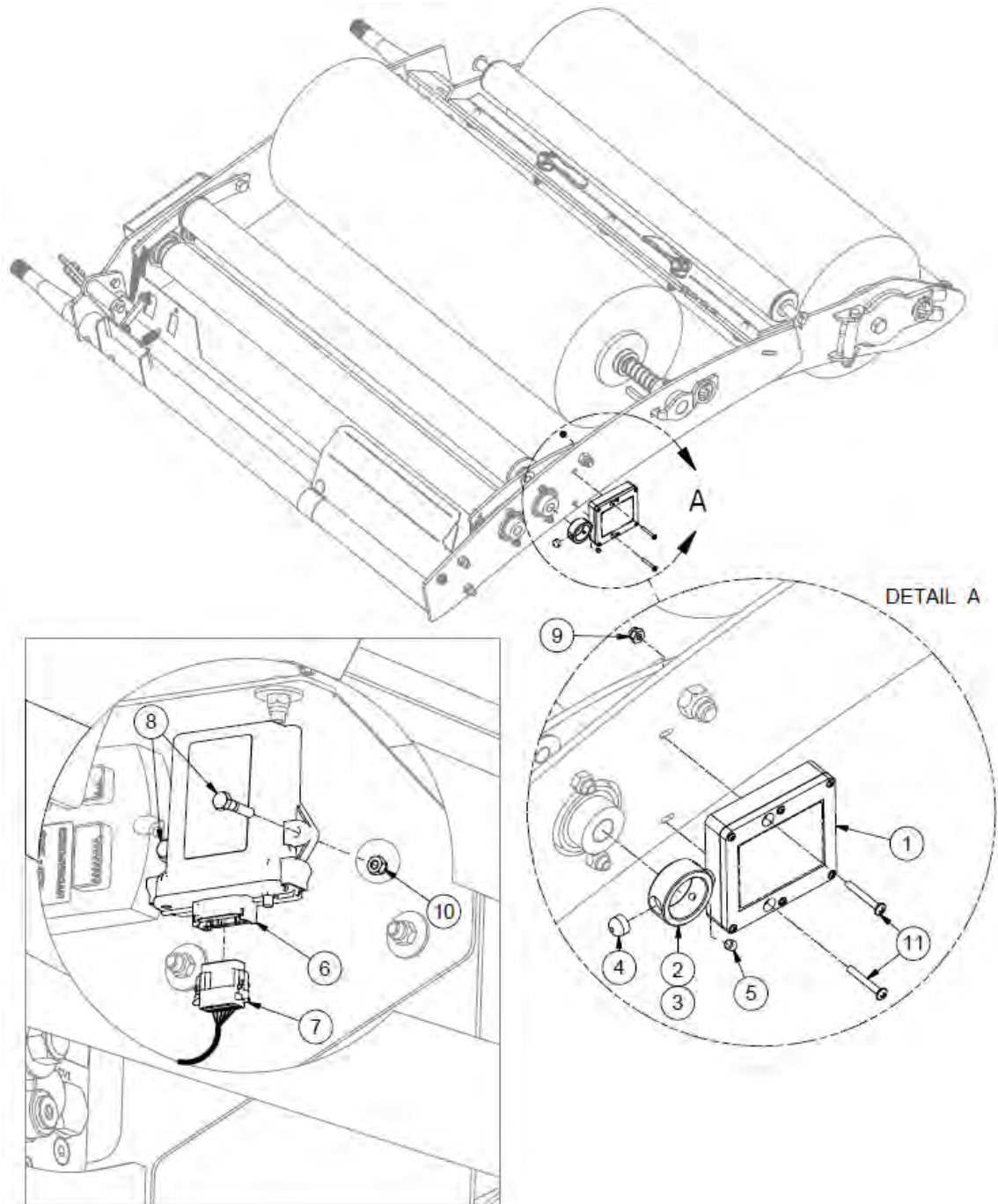
ITEM	QTY	PART NUMBER	DESCRIPTION	NOTE
1	1	32635	ECV Wrapper, Film Sensor Switch	Inc Items 2 & 3
2	1	TL550-100-049	Wire Arm	
3	1	TL550-100-082	Wire Clamp	
4	1	HB 3/8-16X0.75 Z5	Hex Bolt 3/8-16x3/4 Grade 5 Zinc Plated Hex Cap Screw	
5	4	LN 10-24	K-Lok Locknut	
6	4	MS #10X24X1.75	Machine Screw - (Inch)	
7	1	MS 4 X 0.5 SDS	Machine Screw - 1/8 x 1/2 Hex Washer Head Self Drilling Screw Zinc	
8	1	TLFSB2007	Film Sensor Mtg. Brkt.	

TLRSSKX2HDECV - Remote Control Kit



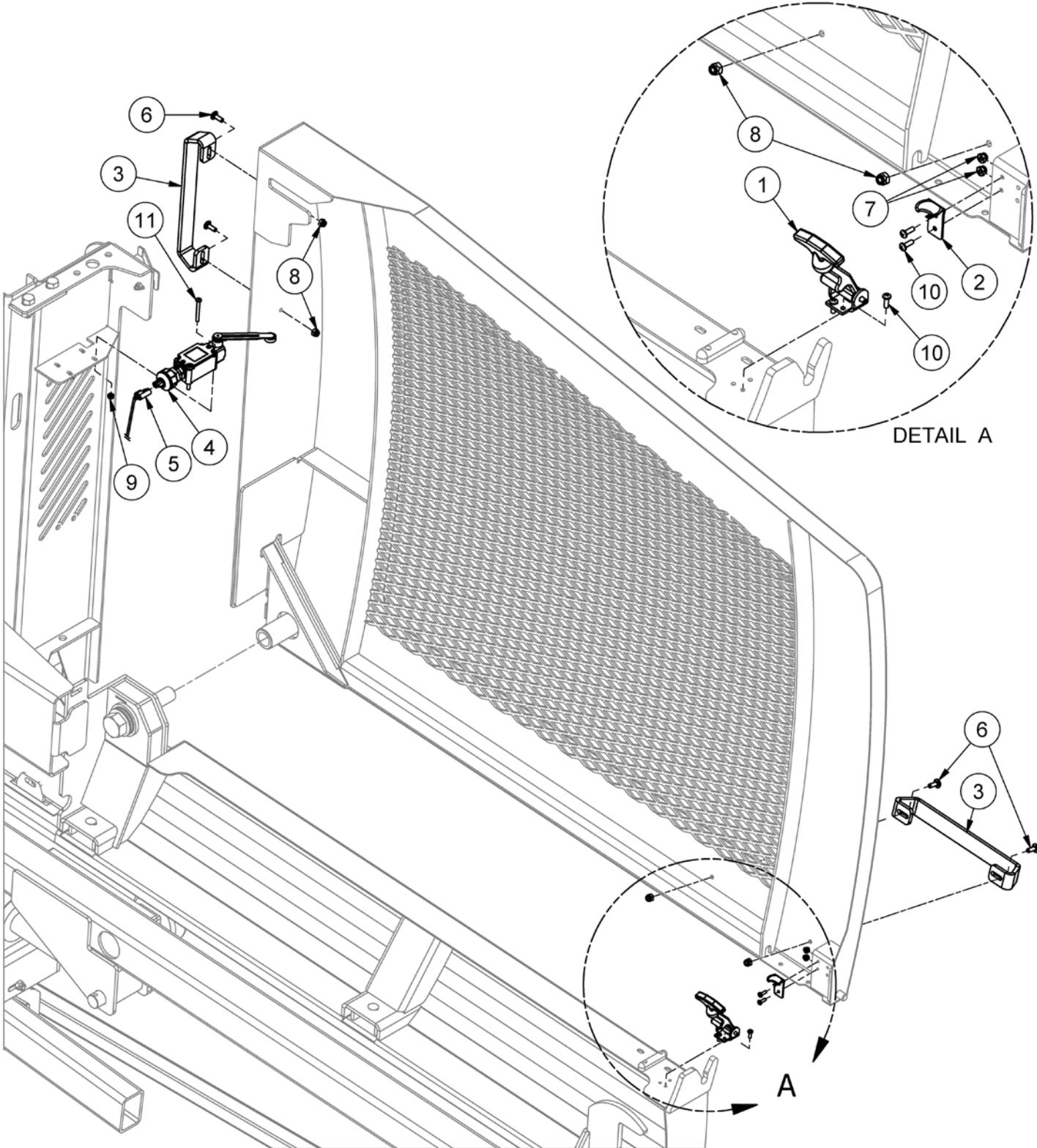
ITEM	QTY	PART NUMBER	DESCRIPTION	NOTE
1	1	32648	Remote Receiver (ECV Wrapper) in Enclosure w/ DT Plug	
2	1	TLHHCX2HD	Hand Held Remote (Orange)	
3	2	AA Battery		Not Included

TLPSSKWE CV - Plastic Sensor Shutdown Kit



ITEM	QTY	PART NUMBER	DESCRIPTION	NOTE
1	2	41970	Film Sensor Transmitter Board	
2	2	42697	Film Sensor Bushing Assembly	Inc Items 3 - 5
3	2	42698	Film Sensor Bushing	
4	4	42699	1/2" Rare Earth Magnet	
5	2	SS 14X14	Allan Head Set Screw, Cup Point Set Screw 1/4-20 x 1/4	
6	1	43615	Receiver Board for ECV Film Sensor	
7	1	44908	Film Break Sensor Harness for ECV	
8	2	HB 1/4-20X1.25 Z5	Hex Bolt 1/4-20x1 1/4 Grade 5 Zinc Plated Hex Cap Screw	
9	2	LN #8 N	LN 3/16-32 Zinc Plated Nylon Insert Lock Nut	
10	2	LN 1/4 N	LN 1/4-20 Zinc Plated Nylon Insert Lock Nut	
11	2	MS #8X32X1.25	Machine Screw - (Inch)	

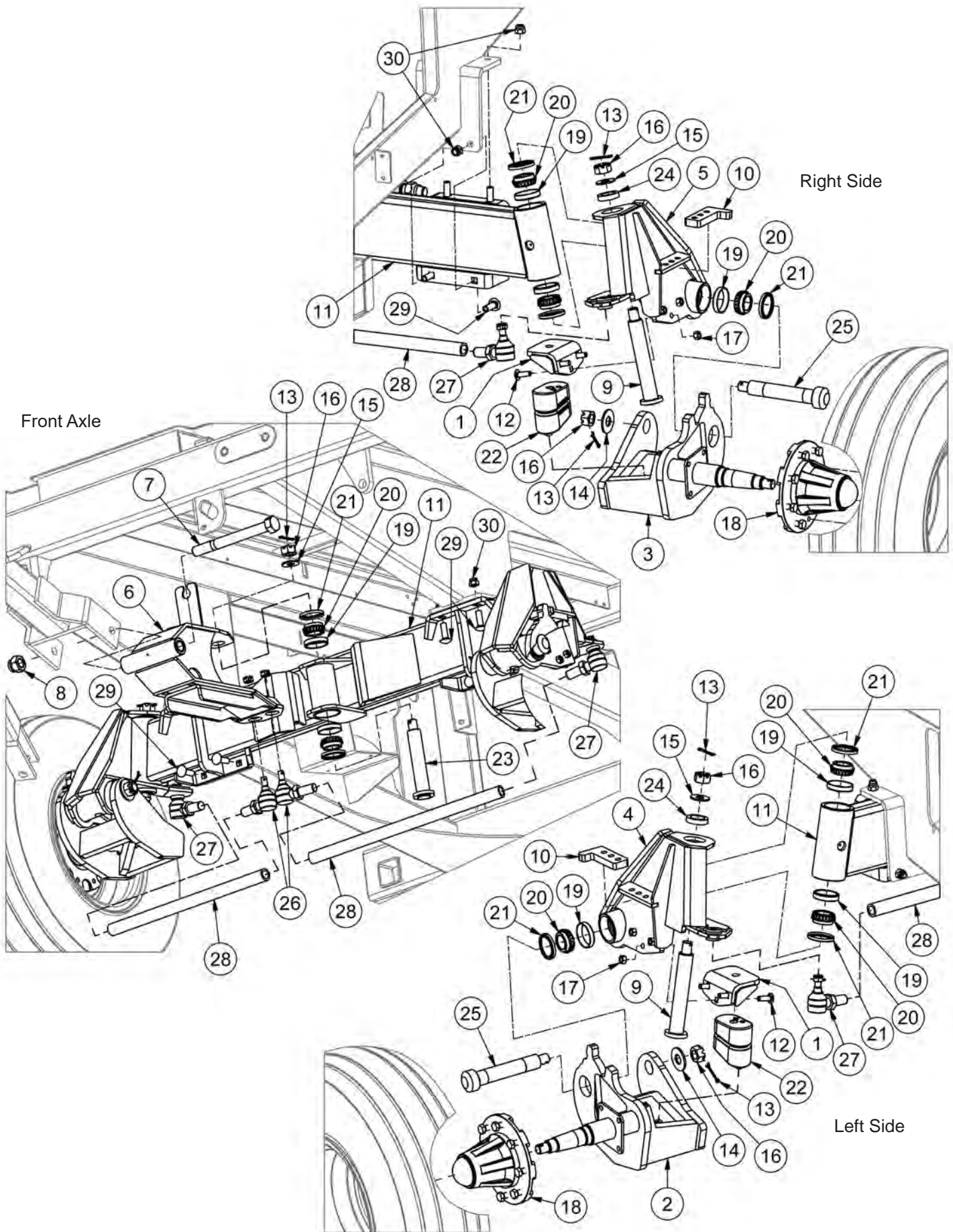
TLOSG - Optional Safety Guard



TLOSG - Optional Safety Guard

ITEM	QTY	PART NUMBER	DESCRIPTION
1	1	38048	Battery Cover Hold Down
2	1	38343	Battery Latch
3	2	44858	Door Handle
4	1	45920	Door Limit Switch
5	1	45949	LSV Right Safety Guard Harness
6	4	CB 1/4-20 X0.75 Z5	Carriage Bolt - 1/4-20 x 3/4" Grade 5 Zinc
7	5	LN #8 N	LN 3/16-32 Zinc Plated Nylon Insert Lock Nut
8	4	LN 1/4 N	LN 1/4-20 Zinc Plated Nylon Insert Lock Nut
9	4	LN 10-24	K-Lok Locknut
10	5	MS #8X32X0.5	Machine Screw - (Inch)
11	4	MS #10X24X1.75	Machine Screw - (Inch)

47501 - Suspension Axle



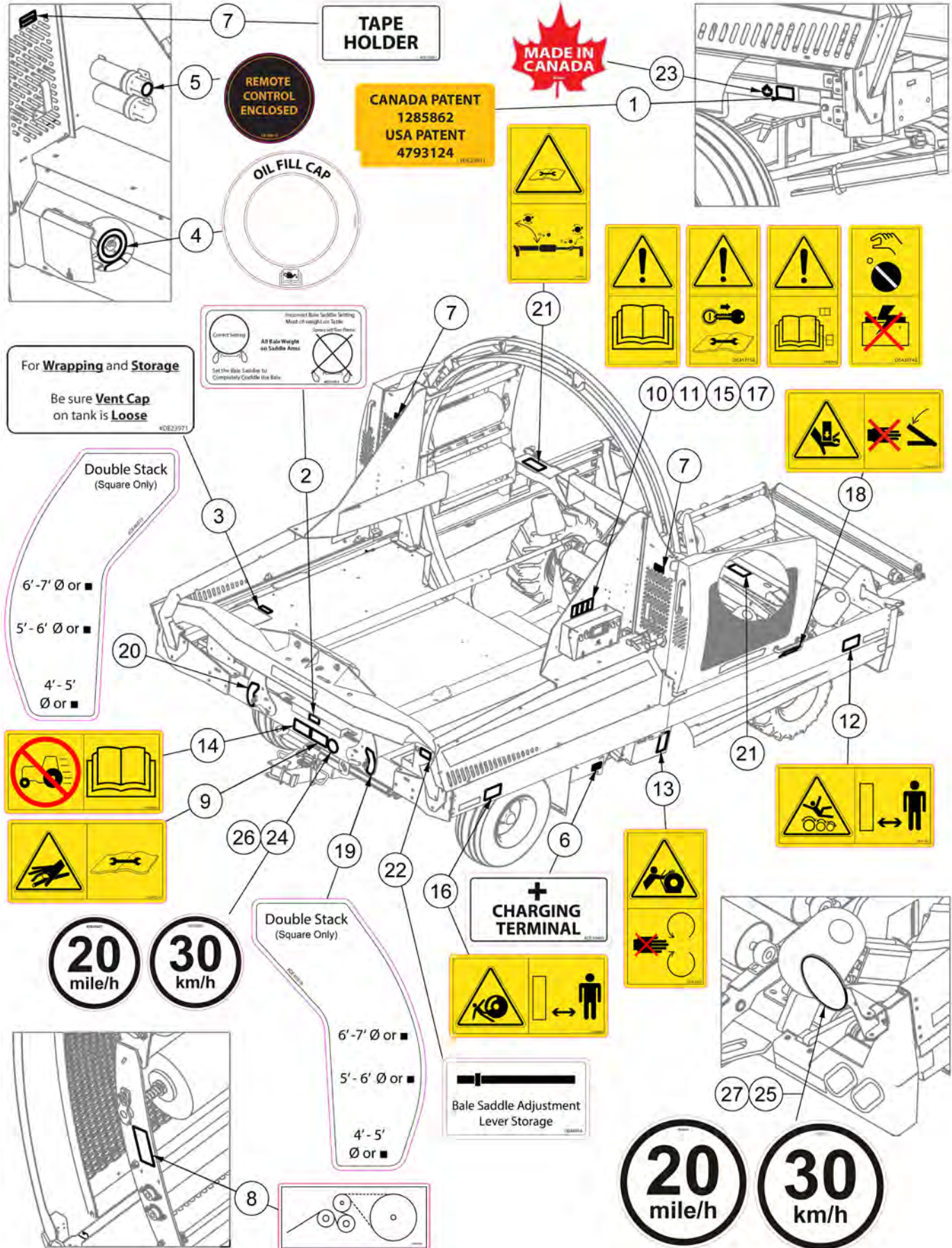
47501 - Suspension Axle

ITEM	QTY	PART NUMBER	DESCRIPTION
1	2	205SP-004	Rubber Spring Top Mount Assembly
2	1	205SP-006	TL70 Left Roadflex Spindle
3	1	205SP-007	TL70 Right Roadflex Spindle
4	1	205SP-008	TL70 Left Roadflex Pivot Frame
5	1	205SP-009	TL70 Right Roadflex Pivot Frame
6	1	48358	TL70 Roadflex Yoke Weldment
7	1	HB1 1/8-7X11Z5	Hex Bolt 1 1/8-7x11 Grade 5 Zinc Plated Hex Cap Screw
8	1	LN1 1/8-7NCZ5	LN 1 1/8-7 Zinc Plated Nylon Insert Lock Nut
9	2	205SP-012	TL70 Roadflex Pivot Pin
10	2	205SP-41	Compression Set Screw
11	1	48357	TL70 Roadflex Axle Weldment
12	6	CB1/2-13X1.5CZ5	Carriage Bolt - 1/2-13 x 1 1/2" Grade 5 Zinc
13	5	CP 3/16 X 2	Pin,Cotter - 3/16" X 2" Zinc Finish Extended Prong
14	2	FW 1.0	Flatwasher - 1" Zinc Plated USS
15	3	FW 3/4	Flatwasher - 3/4" Zinc Plated USS
16	5	HN1-12 UNFCastle	Hex Nut 1"-12 Slotted Plain Finish (NF Castle Nut Bare)
17	6	HN1/2-13CZ5	Hex Nut 1/2"-13 Grade 5 Zinc Plated Finished
18	2	HUB 6500	6500 Hub c/w Parts
19	10	LA-11-1009	Cup (13620)
20	10	LA-11-1010	Cone (13686)
21	10	LA-11-1011	Seal (CR20952)
22	2	LA-11-1721	Timbren Rubber Spring (A00101-6500D)
23	1	LA-22-1055	Timkin Bolt
24	2	LA-22-1529	Spacer Bushing (1.5" ID x 2.25" OD x .5")
25	2	LA-22-1767	Knuckle Pivot Pin
26	2	TL650-111-006	Tie Rod End for 6500 Right Thread
27	2	TL650-111-007	Tie Rod End for 6500 Left Thread
28	2	TL6500SP-02	Steering Rod
29	8	CB5/8-11X2CZ5	Carriage Bolt - 5/8-11 x 2" Grade 5 Zinc
30	8	LN5/8-11NCZ5	LN 5/8-11 Zinc Plated Nylon Insert Lock Nut

Section 6: Decals

Safety Decals

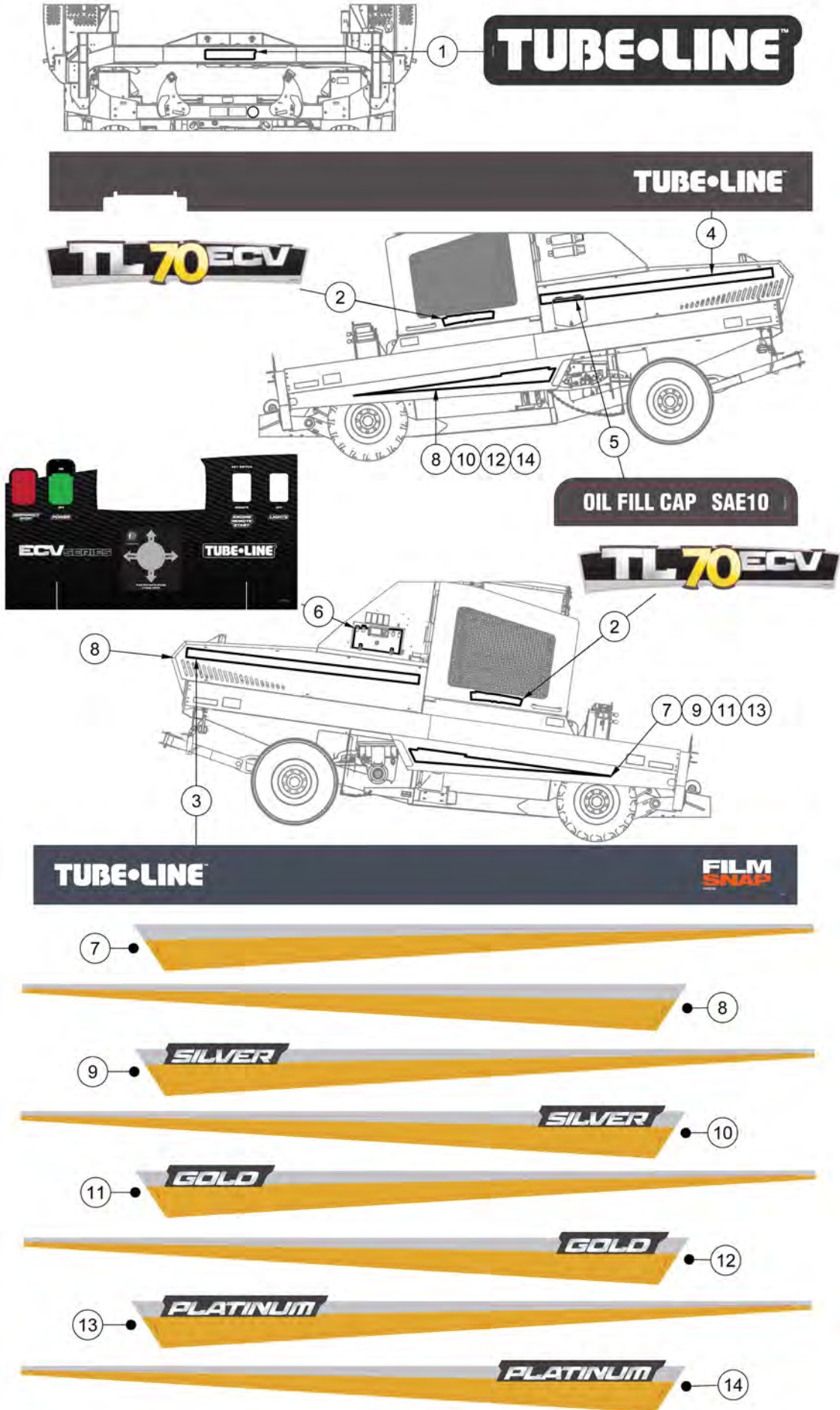
NOTE: Decals not to scale.



Safety Decals

ITEM	QTY	PART NUMBER	DESCRIPTION	NOTE
	1	DE46940	TL70 Safety Decal Kit	Items 1-23
1	1	DE23941	Canada/USA Patent Decal	
2	1	DE23959	Bale Settings Correct and Incorrect	
3	1	DE23971	Wrapping and Storage Decal	
4	1	DE30871	Balewrapper Oil Fill Decal	
5	1	DE30879	Remote Control Enclosed Decal	
6	1	DE30880	Charging Terminal Decal	
7	2	DE30881	Tape Holder Decal	
8	2	DE36082	Plastic Film Routing Info Decal	
9	1	DE41713H	ISO Decal - High Pressure Fluid Horizontal	
10	1	DE41714S	ISO Decal - Read Operator's Manual	
11	1	DE41715S	ISO Decal - Remove Key Before Repair	
12	2	DE41921	ISO Decal - Do Not Stand on Rollers	
13	1	DE41925	ISO Decal - Hoop Wheel Entanglement	
14	1	DE41935H	ISO Decal - Transport Speed Limit	
15	1	DE42784S	ISO Decal - Read OM Decal Section	
16	2	DE43049	ISO Decal - Wheel Crush	
17	1	DE43874S	ISO Decal - Panel OFF Before Boosting	
18	2	DE43875H	ISO Decal - Hand Crush	
19	1	DE46918	TL70 LH Bale Saddle Decal	
20	1	DE46919	TL70 RH Bale Saddle Decal	
21	2	DE46949	Dispatch Arm ISO Decal	
22	1	DE46954	Bale Saddle Lever Decal	
23	1	DECANADA	Decal Made In Canada	
24	1	DE45925	Decal - Small SIS 30kmh	Intl Models
25	1	DE45926	Decal - Large SIS 30kph	US Models
26	1	DE45927	Decal - Small SIS 20mph	Intl Models
27	1	DE45928	Decal - Large SIS 20mph	US Models

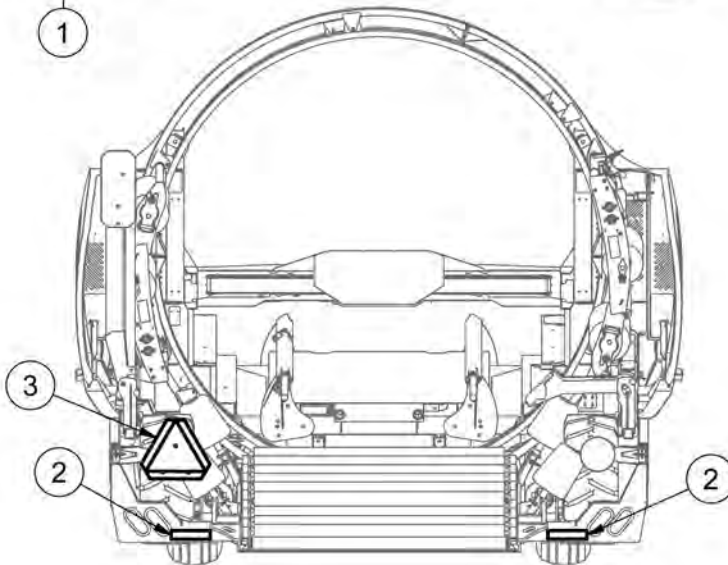
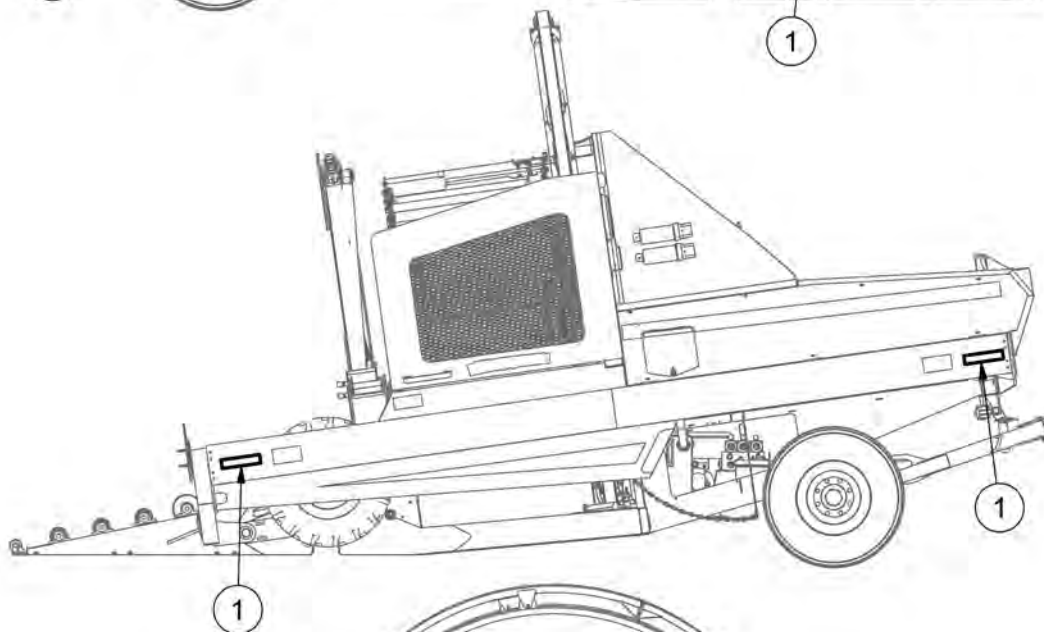
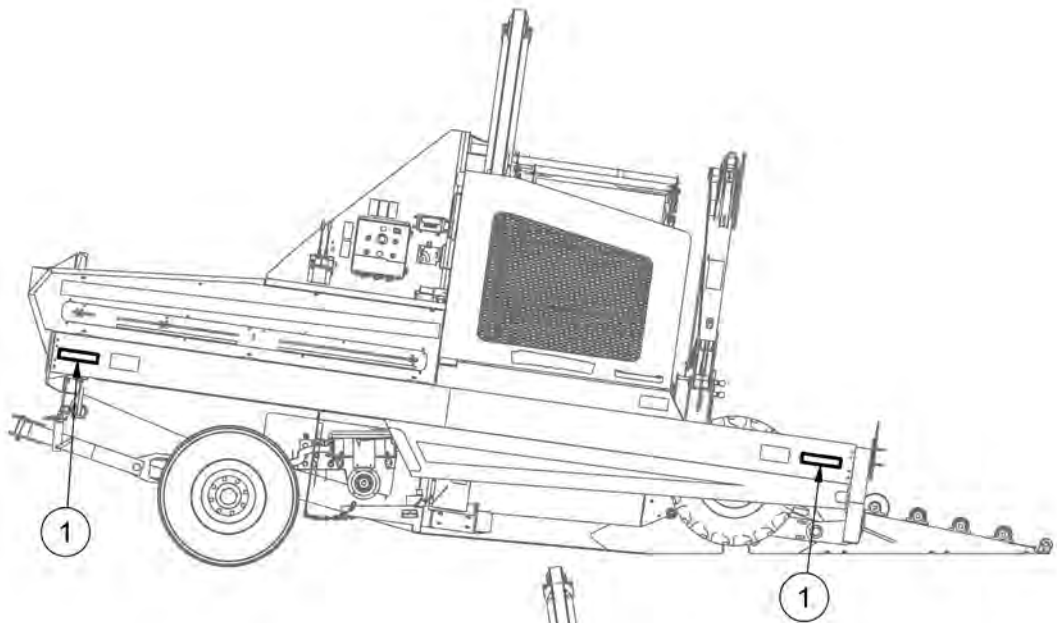
Model Decals



Model Decals

ITEM	QTY	PART NUMBER	DESCRIPTION	NOTE
	1	DE46942	TL70ECV Model Decal Kit	Items 1 - 5
1	1	DE44845	2019 Tubeline Decal	
2	2	DE46752	TL70ECV Model Decal	
3	1	DE46753	TL70 Left Side Decal	
4	1	DE46754	TL70 Right Side Decal	
5	1	DE46959	TL70 Oil Fill Decal	
6	1	DE46910	TL70ECV Control Panel Decal	
7	1	DE44867	Standard Brand Left Decal	
8	1	DE44868	Standard Brand Right Decal	
9	1	DE44852	Silver Brand Left Decal	
10	1	DE44853	Silver Brand Right Decal	
11	1	DE44854	Gold Brand Left Decal	
12	1	DE44855	Gold Brand Right Decal	
13	1	DE44856	Platinum Brand Left Decal	
14	1	DE44857	Platinum Brand Right Decal	

Clearance Markers











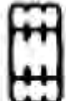


ITEM	QTY	PART NUMBER	DESCRIPTION
1	4	DEAMBERSTRIP	Amber Reflective Strip Decal
2	2	DEREDSTRIP	Red Reflective Strip Decal
3	1	DESMV	Slow Moving Vehicle Sign

Intentionally Left Blank

Imperial Torque Value Chart

UNIFIED INCH BOLT AND CAP SCREW TORQUE VALUES

SAE Grade and Head Markings	1 or 2 ^b	5	5.1	5.2	8	8.2
	NO MARK 					
SAE Grade and Nut Markings	2	5		8		
	NO MARK 					

T81162 -10-041101

Size	Grade 1				Grade 2 ^b				Grade 5, 5.1, or 5.2				Grade 8 or 8.2			
	Lubricated ^a		Dry ^a		Lubricated ^a		Dry ^a		Lubricated ^a		Dry ^a		Lubricated ^a		Dry ^a	
	N-m	lb-ft	N-m	lb-ft	N-m	lb-ft	N-m	lb-ft	N-m	lb-ft	N-m	lb-ft	N-m	lb-ft	N-m	lb-ft
1/4	3.7	2.8	4.7	3.5	6	4.5	7.5	5.5	9.5	7	12	9	13.5	10	17	12.5
5/16	7.7	5.5	10	7	12	9	15	11	20	15	25	18	28	21	35	26
3/8	14	10	17	13	22	16	27	20	35	26	44	33	50	38	63	46
7/16	22	16	28	20	35	26	44	32	55	41	70	52	80	58	100	75
1/2	33	25	42	31	53	39	67	50	85	63	110	80	120	90	150	115
9/16	48	36	60	45	75	56	95	70	125	90	155	115	175	130	225	160
5/8	67	50	85	62	105	78	135	100	170	125	215	160	240	175	300	225
3/4	120	87	150	110	190	140	240	175	300	225	375	280	425	310	550	400
7/8	190	140	240	175	190	140	240	175	490	360	625	450	700	500	875	650
1	290	210	360	270	290	210	360	270	725	540	925	675	1050	750	1300	975
1-1/8	400	300	510	375	400	300	510	375	900	675	1150	850	1450	1075	1850	1350
1-1/4	570	425	725	530	570	425	725	530	1300	950	1650	1200	2050	1500	2600	1950
1-3/8	750	550	950	700	750	550	950	700	1700	1250	2150	1550	2700	2000	3400	2550
1-1/2	1000	725	1250	925	990	725	1250	930	2250	1650	2850	2100	3600	2650	4550	3350

DO NOT use these values if a different torque value or tightening procedure is given for a specific application. Torque values listed are for general use only. Check tightness of fasteners periodically.

Shear bolts are designed to fail under predetermined loads. Always replace shear bolts with identical grade.

^a "Lubricated" means coated with a lubricant such as engine oil, or fasteners with phosphate and oil coatings. "Dry" means plain or zinc plated without any lubrication.

^b Grade 2 applies for hex cap screws (not hex bolts) up to 152 mm (6-in.) long. Grade 1 applies for hex cap screws over 152 mm (6-in.) long, and for all other types of bolts and screws of any length.

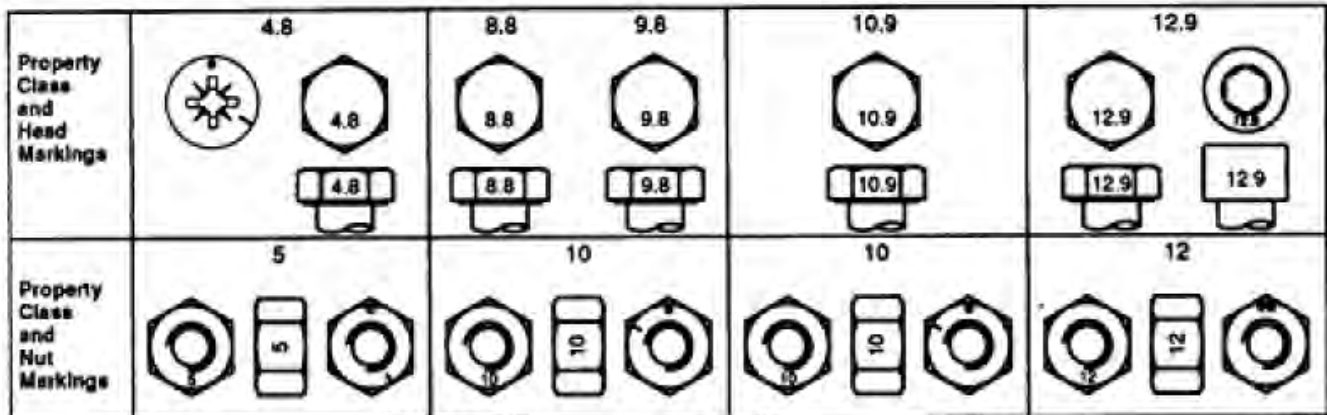
Fasteners should be replaced with the same or higher grade. If higher grade fasteners are used, these should only be tightened to the strength of the original.

Make sure fasteners threads are clean and that you properly start thread engagement. This will prevent them from failing when tightening.

Tighten plastic insert or crimped steel-type lock nuts to approximately 50 percent of the dry torque shown in the chart, applied to the nut, not to the bolt head. Tighten toothed or serrated-type lock nuts to the full torque value.

Metric Torque Value Chart

METRIC BOLT AND CAP SCREW TORQUE VALUES



Size	Class 4.8				Class 8.8 or 9.8				Class 10.9				Class 12.9			
	Lubricated ^a		Dry ^a		Lubricated ^a		Dry ^a		Lubricated ^a		Dry ^a		Lubricated ^a		Dry ^a	
	N-m	lb-ft	N-m	lb-ft	N-m	lb-ft	N-m	lb-ft	N-m	lb-ft	N-m	lb-ft	N-m	lb-ft	N-m	lb-ft
M6	4.8	3.5	6	4.5	9	6.5	11	8.5	13	9.5	17	12	15	11.5	19	14.5
M8	12	8.5	15	11	22	16	28	20	32	24	40	30	37	28	47	35
M10	23	17	29	21	43	32	55	40	63	47	80	60	75	55	95	70
M12	40	29	50	37	75	55	95	70	110	80	140	105	130	95	165	120
M14	63	47	80	60	120	88	150	110	175	130	225	165	205	150	260	190
M16	100	73	125	92	190	140	240	175	275	200	350	255	320	240	400	300
M18	135	100	175	125	260	195	330	250	375	275	475	350	440	325	560	410
M20	190	140	240	180	375	275	475	350	530	400	675	500	625	460	800	580
M22	260	190	330	250	510	375	650	475	725	540	925	675	850	625	1075	800
M24	330	250	425	310	650	475	825	600	925	675	1150	850	1075	800	1350	1000
M27	490	360	625	450	950	700	1200	875	1350	1000	1700	1250	1600	1150	2000	1500
M30	675	490	850	625	1300	950	1650	1200	1850	1350	2300	1700	2150	1600	2700	2000
M33	900	675	1150	850	1750	1300	2200	1650	2500	1850	3150	2350	2900	2150	3700	2750
M36	1150	850	1450	1075	2250	1650	2850	2100	3200	2350	4050	3000	3750	2750	4750	3500

DO NOT use these values if a different torque value or tightening procedure is given for a specific application. Torque values listed are for general use only. Check tightness of fasteners periodically.

Shear bolts are designed to fail under predetermined loads. Always replace shear bolts with identical property class.

Fasteners should be replaced with the same or higher property class. If higher property class fasteners are used, these should only be tightened to the strength of the original.

^a "Lubricated" means coated with a lubricant such as engine oil, or fasteners with phosphate and oil coatings. "Dry" means plain or zinc plated without any lubrication.

Make sure fasteners threads are clean and that you properly start thread engagement. This will prevent them from failing when tightening.

Tighten plastic insert or crimped steel-type lock nuts to approximately 50 percent of the dry torque shown in the chart, applied to the nut, not to the bolt head. Tighten toothed or serrated-type lock nuts to the full torque value.

Index

20hp Throttle Linkage2-3
47501 - Suspension Axle	5-19
47730 - Complete Ram	1-24
Bale Deck	1-26
Bale Saddles	1-28
Battery4-5
Clearance Markers6-5
Control Panel4-1
Cylinder Supports	1-18
Dual Power Drive Bracket5-3
Engine - 20hp Honda2-1
Front Corners	1-20
Hoop1-2
Hoop Drive1-4
Hydraulic Manifold Mount3-3
Hydraulic Oil Cooler3-4
Hydraulic Oil Tank3-1
Imperial Torque Value Chart7-1
Inline Wrapper 3 Year Limited Warranty Statement (<i>Excludes Individual Wrapper</i>)	//
Left Hoop Brace	1-10
Left Safety Guard	1-14
Main Electrical Harness4-3
Main Plastic Film Carrier1-6
Maintenance Guard	1-16
Manuals I
Metric Torque Value Chart8-1
Model Decals6-3
Offset Twin Wrap Carrier1-8
Parking Brake	1-36
Part Orders I
Parts Manual I
Parts Manual Usage I
Ram Speed Sensor4-6
Rear Axle	1-34
Rear Light Brackets	1-38
Right Hoop Brace	1-12
Roller Bed	1-32
Safety Decals6-1
Section 1: Basic Parts1-1
Section 2: Engine2-1
Section 3: Hydraulics3-1
Section 4: Electrical4-1
Section 5: Options5-1
Section 6: Decals6-1

Serial Number	I
Side Rails	1-22
Steering.	1-30
TLGR70 - Optional Guide Rollers.5-5
TLGSECV - Laser Guidance System.	5-11
TLHPDD70 - Dual Power Drive5-1
TLMPO-70 - Dispatch Arm	1-40
TLNWLK-ECV - Halogen Night Light Kit.5-9
TLNWLKLED-ECV - LED Night Light Kit5-7
TLOSG - Optional Safety Guard	5-17
TLPSSK-ECV - Plastic Sensor Shutdown Kit	5-13
TLPSSKWECV - Plastic Sensor Shutdown Kit.	5-16
TLRSSKX2HDECV - Remote Control Kit	5-15

CALIFORNIA

Proposition 65 Warning

Battery posts, terminals, and similar parts may contain lead which are known to the State of California to cause cancer and reproductive harm.
Wear gloves and wash hands after handling.



WARNING

The engine exhaust from this product contains chemicals known in the state of California to cause cancer, birth defects, or other reproductive harm.

TUBE•LINE™